

# S3X.2

NEW GENERATION RC CAR

1/8 OFFROAD 4WD NITRO  
RC PROFESSIONAL BUGGY



INSTRUCTION MANUAL

**WIRC**  
PROFESSIONAL RC CAR

[WWW.WIRCACING.COM](http://WWW.WIRCACING.COM)





## INTRODUCTION

SBX is a new generation high quality 1/8 scale nitro off-road buggy.  
SBX is supplied in a box, you can download the Instruction manual from [www.wircracing.com](http://www.wircracing.com)  
Its use is intended for more than 16 years old persons with experience on rc model car field.  
Children and all the persons without this requirement MUST have direct supervision of a knowledgeable adult responsible.

## SAFETY PRECAUTIONS

Instruction Manual MUST be read and fully understood before to start building and operating functions.  
Always keep Instruction Manual in safety place, ready to be consulted for any reference you need.  
Use only original WRC spare parts.

## GENERAL INFORMATION

Assemble the kit only away from the reach of children.  
Follow the building and operating instructions using the utmost care.  
Don't put any part of your body inside rotating and moving elements as this may cause damage or serious injury.  
Check and clean the model before putting it away.  
Don't use your model car in public places or in roads and areas where it could generate conflict with person or vehicular traffic.  
The model car is controlled by radio: you MUST put great care to avoid loss of radio control always keeping a safety margin all around your model in order to prevent any collision.  
Operating frequency: check and be sure it is clear and not shared with anybody at same time; it could cause loss of control of the RC model.  
Always turn on your transmitter before you turn on the receiver in the car and always turn off the receiver before you turn off your transmitter.  
Keep the wheels of the model off the ground when checking the operation of the radio equipment.  
Disconnect the battery pack before storing your model.

## WARRANTY

WIRC guarantees this model kit to be free from defects in both material and workmanship within 30 days of purchase.  
The total monetary value under warranty will in no case exceed the cost of the original kit purchased.  
This warranty doesn't cover any components damaged by use or modification or as result of wear.  
Part or parts missing from this kit must be reported within 30 days of purchase.  
No part or parts will be sent under warranty without proof of purchase.  
If you find a defective or missing part, contact the local distributor.  
Customer service and support will be provided through local hobby store.  
No warranties are expressed or implied that cover damage caused by what is considered normal use or cover or imply how long any model cars' components or electric components will last before requiring replacement.  
Due to the high performance level of this model car you will need to periodically maintain and replace consumable components; any and all warranty coverage will not cover replacement of any part or component damaged by neglect, abuse or improper or unreasonable use.  
This includes but is not limited to damage from crashing, excessive moisture, improper use or no maintenance or user modifications which compromise the integrity of components.  
Warranty will not cover components that are considered consumable on RC model car.  
WIRC doesn't pay nor refund on any component sent from WIRC or its distributor for warranty.  
WIRC reserves the right to make final determination of the warranty status of any component or part  
Use only original WIRC spare part:

## CUSTOMER SUPPORT

Please don't hesitate to contact WIRC support at [info@wircracing.com](mailto:info@wircracing.com) for any problem or question.  
Also kindly visit our website [www.wircracing.com](http://www.wircracing.com) to find last updates, set-up information, option parts and other information.

### World racing car s.r.l.

Via A.Volta 2 Bis  
36040 Brendola (VI)

ITALY

Phone: 0039 0 444 1792263  
E-mail: [info@wircracing.com](mailto:info@wircracing.com)  
Website: [www.wircracing.com](http://www.wircracing.com)





## TECHNICAL INFORMATION

- BRAKE:Laser cut brake disck with Ferodo brake pad
- WHEELS LOCK:Lightweight 17 mm 7075 T6 Nut
- CHASSIS:3.0 mm Swiss 7075 T6 aluminium
- RADIO PLATE:Composite Material
- DRIVETRAIN TYPE:Spring steel CVD Driveshfts
- FRONT DIFFERENTIAL:Differential Gear
- REAR DIFFERENTIAL:Differential Gear
- SUSPENSION:Pivot ball suspension
- RIDE HEIGHT:Adjustable Front & Rear
- CAMBER:Adjustable Front & Rear
- CASTER:Adjustable Front
- TOE:Adjustable Front & Rear
- ROLLCENTER:Adjustable Front & Rear
- ACKERMANN:Adjustable Front
- ANTI-ROLL BARS:Adjustable Front & Rear

- WIDTH .....310 mm
- WHEEL BASE .....adjustable 315-320 mm.

## ADDITIONAL ITEMS NEEDED FOR COMPLETION (REQUIRED BUT NOT INCLUDED IN THE KIT)



ENGINE AND MUFFLER



TRANSMITTER



RECEIVER



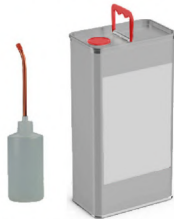
STARTER GLOW  
PLUG IGNITER



BATTERIES  
FOR TRANSMITTER  
AND RECEIVER



WHEEL - TYRES - INSERTS



FUEL AND FUEL PUMP



2 LOW PROFILE STEERING SERVO



STARTER

## TOOLS REQUIRED

THESE TOOLS ARE NOT INCLUDED IN THE KIT BUT ARE REQUIRED FOR PROPER ASSEMBLY



ALLENS:  
1.5 mm  
2 mm  
2.5 mm  
3 mm



SOCKET  
5mm



SIDE CUTTERS



COMBINATION PLIERS



TOOL FOR  
TURNBUCKLES/NUTS



WHEEL NUT TOOL  
17mm



GREASE



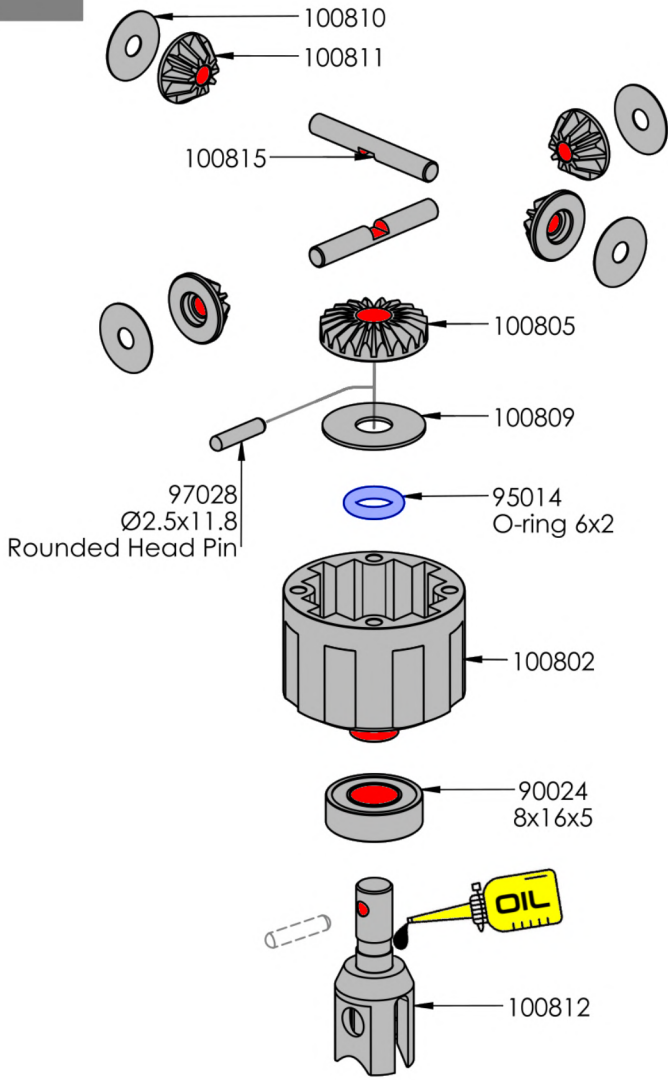
OILS:  
5000 CST  
BEARING OIL

## NOTICE:

THE FOLLOWING ITEMS ARE NEEDED FOR COMPLETION OF THE SBX; THEY ARE NOT INCLUDED IN THIS KIT (UNLESS NOTED) AND SHOULD BE OBTAINED FROM YOUR LOCAL HOBBY SHOP.  
BE SURE TO READ THE INSTRUCTION COMPLETELY PRIOR TO ASSEMBLY



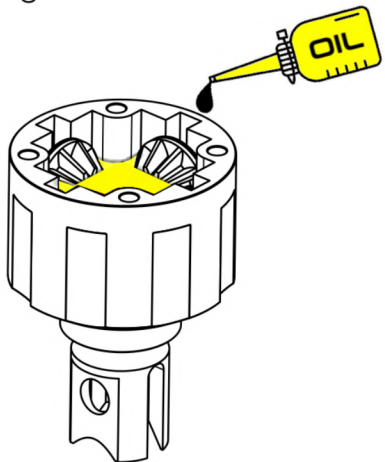
1



2

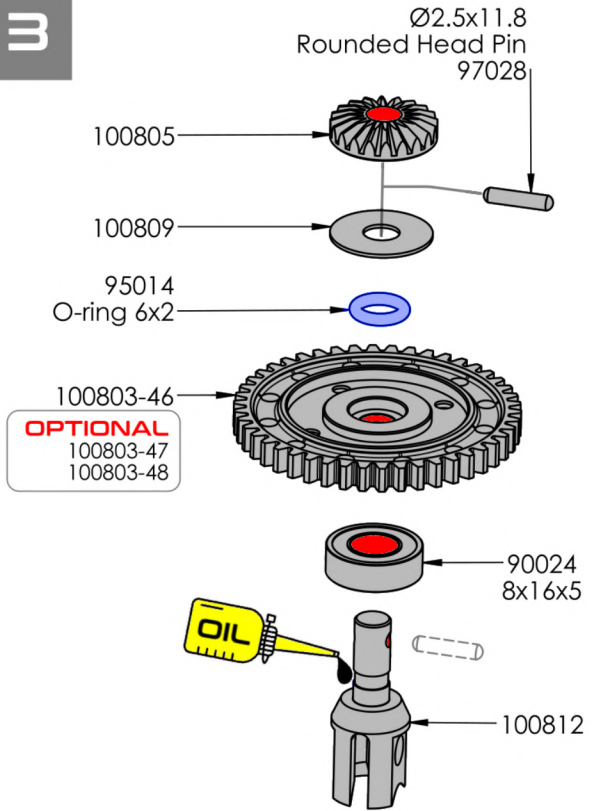
**DIFFERENTIAL OIL :**

Type: 5000 cst  
Weight: 3g

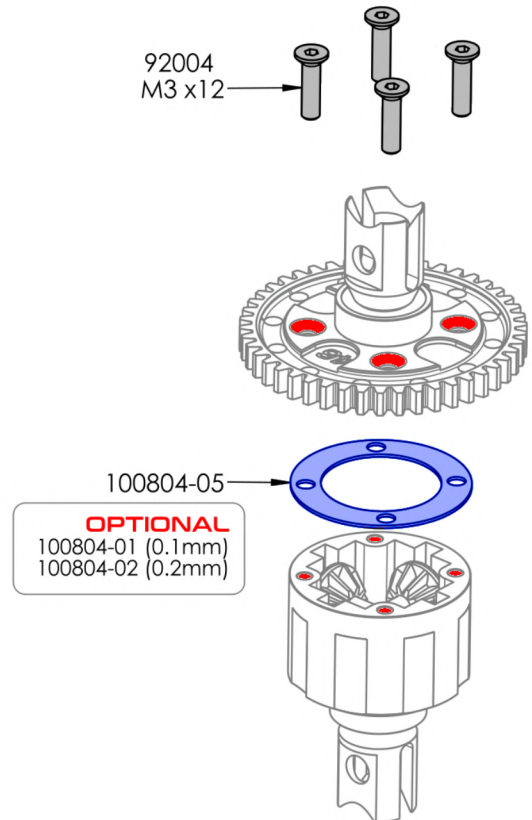


Fill the differential up to the top of the pin. **DO NOT** fill the diff. to the top of the housing.

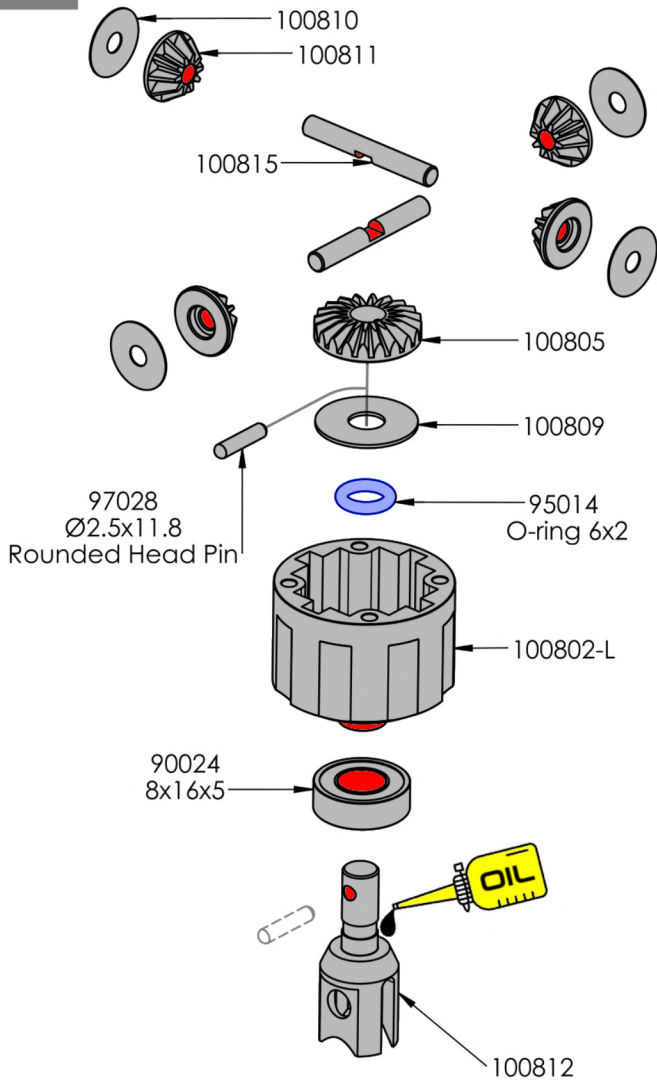
3



4



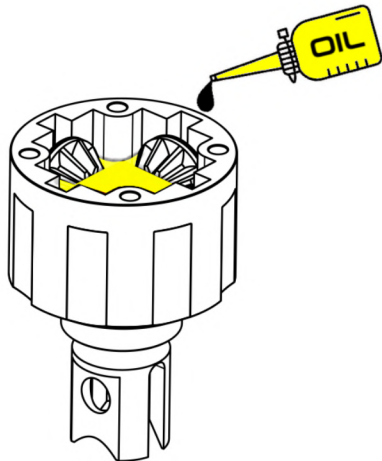
1



2

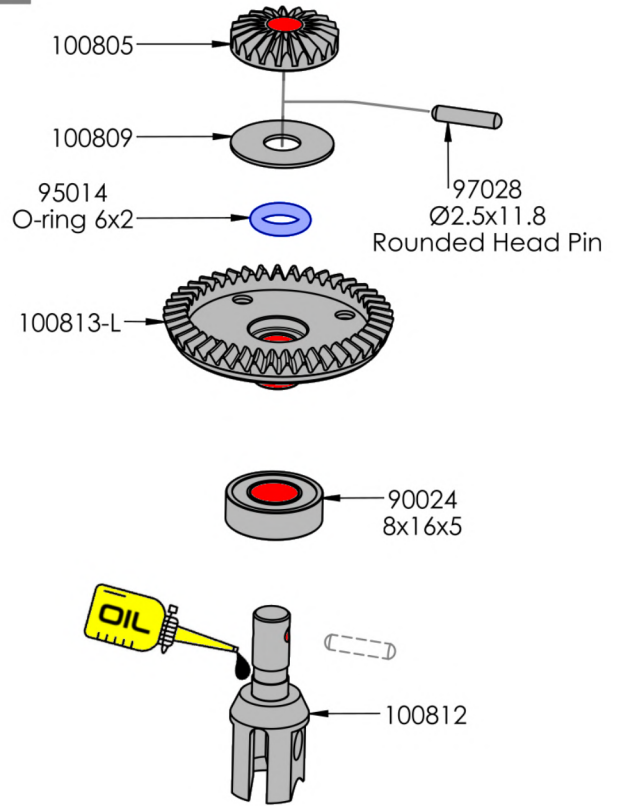
### DIFFERENTIAL OIL :

Type: 5000 cst  
Weight: 3g

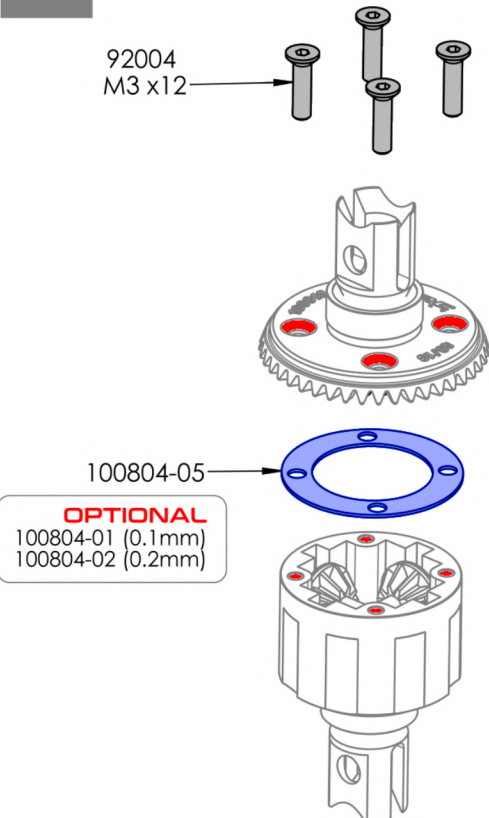


Fill the differential up to the top of the pin. **DO NOT** fill the diff. to the top of the housing.

3

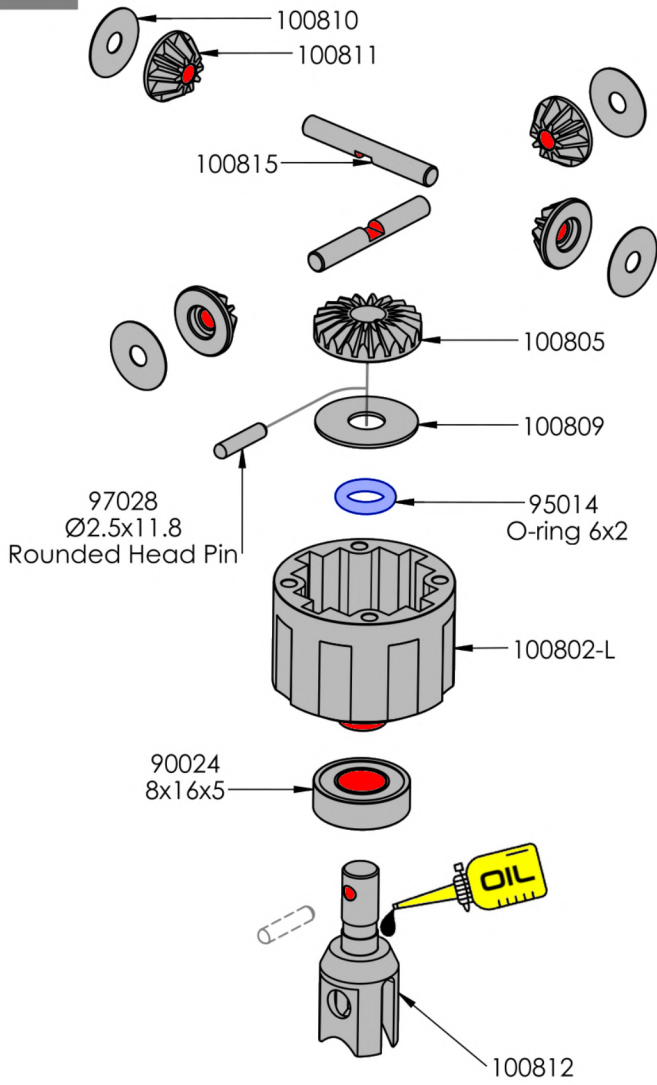


4



**OPTIONAL**  
100804-01 (0.1mm)  
100804-02 (0.2mm)

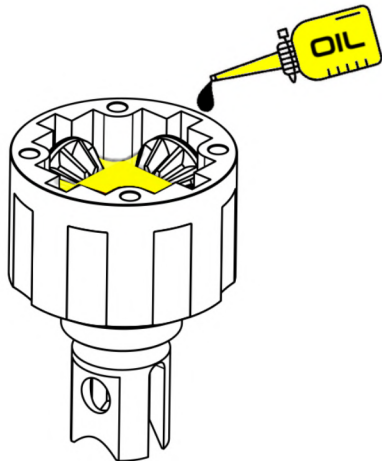
1



2

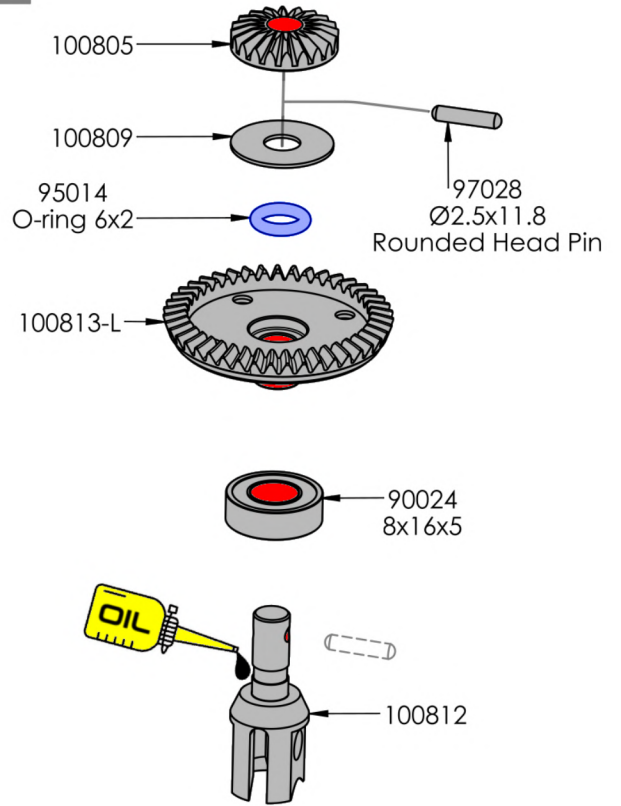
### DIFFERENTIAL OIL :

Type: 5000 cst  
Weight: 3g

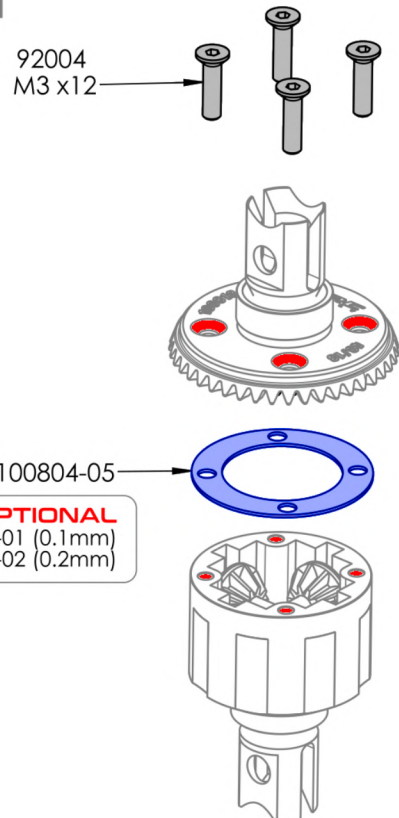


Fill the differential up to the top of the pin. **DO NOT** fill the diff. to the top of the housing.

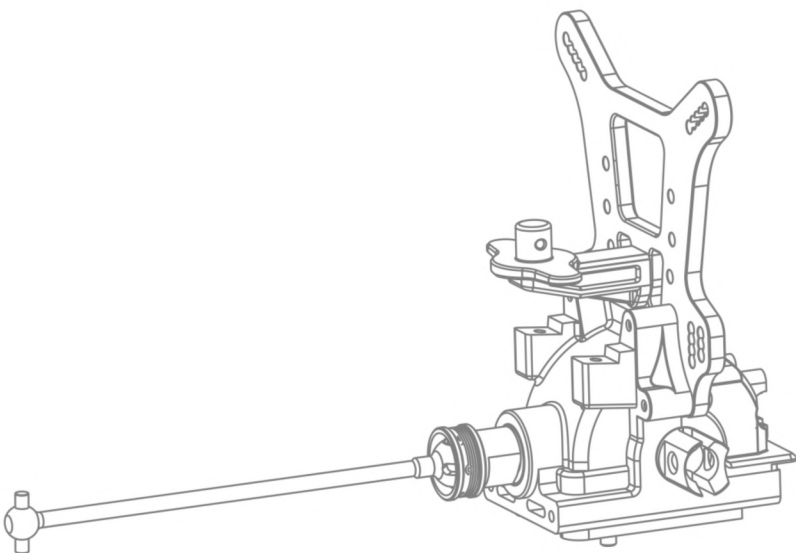
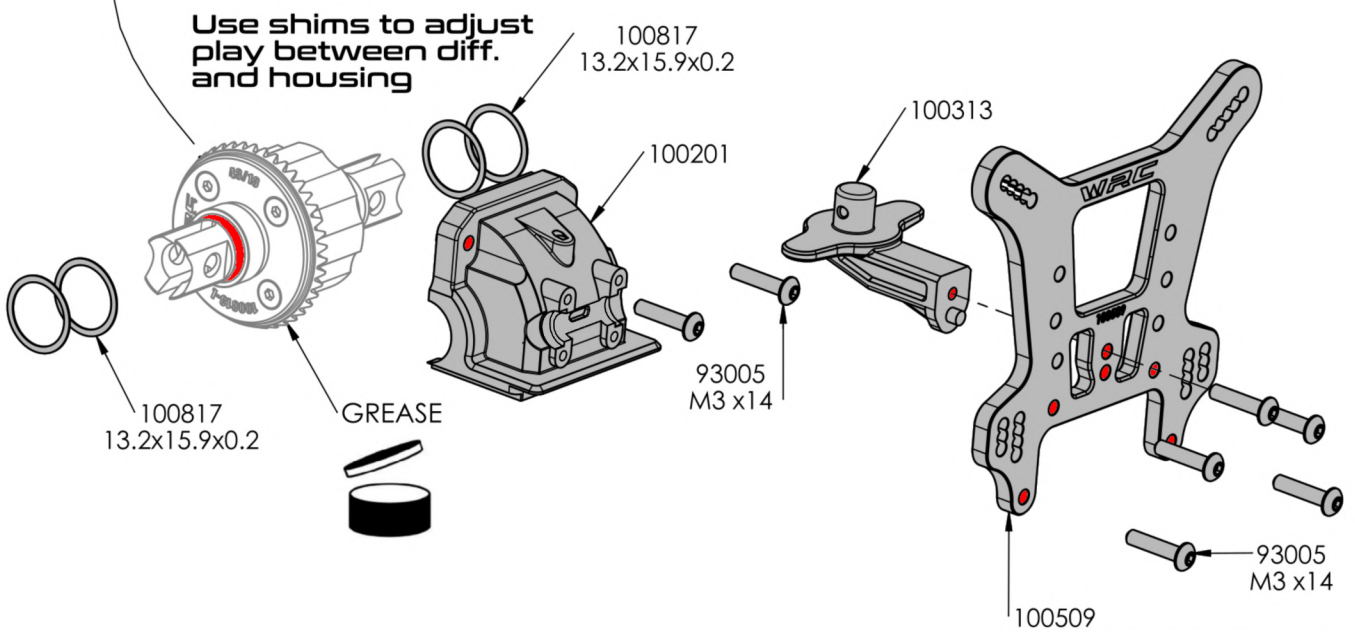
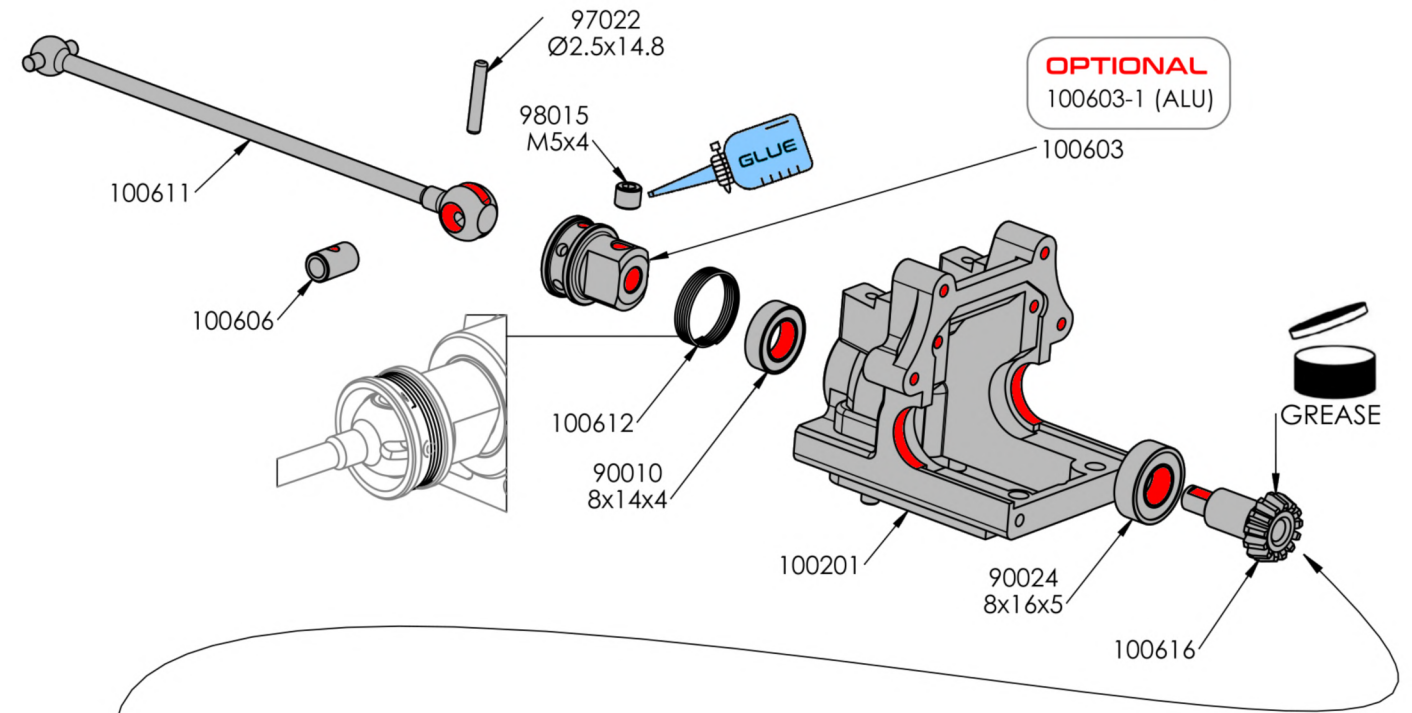
3



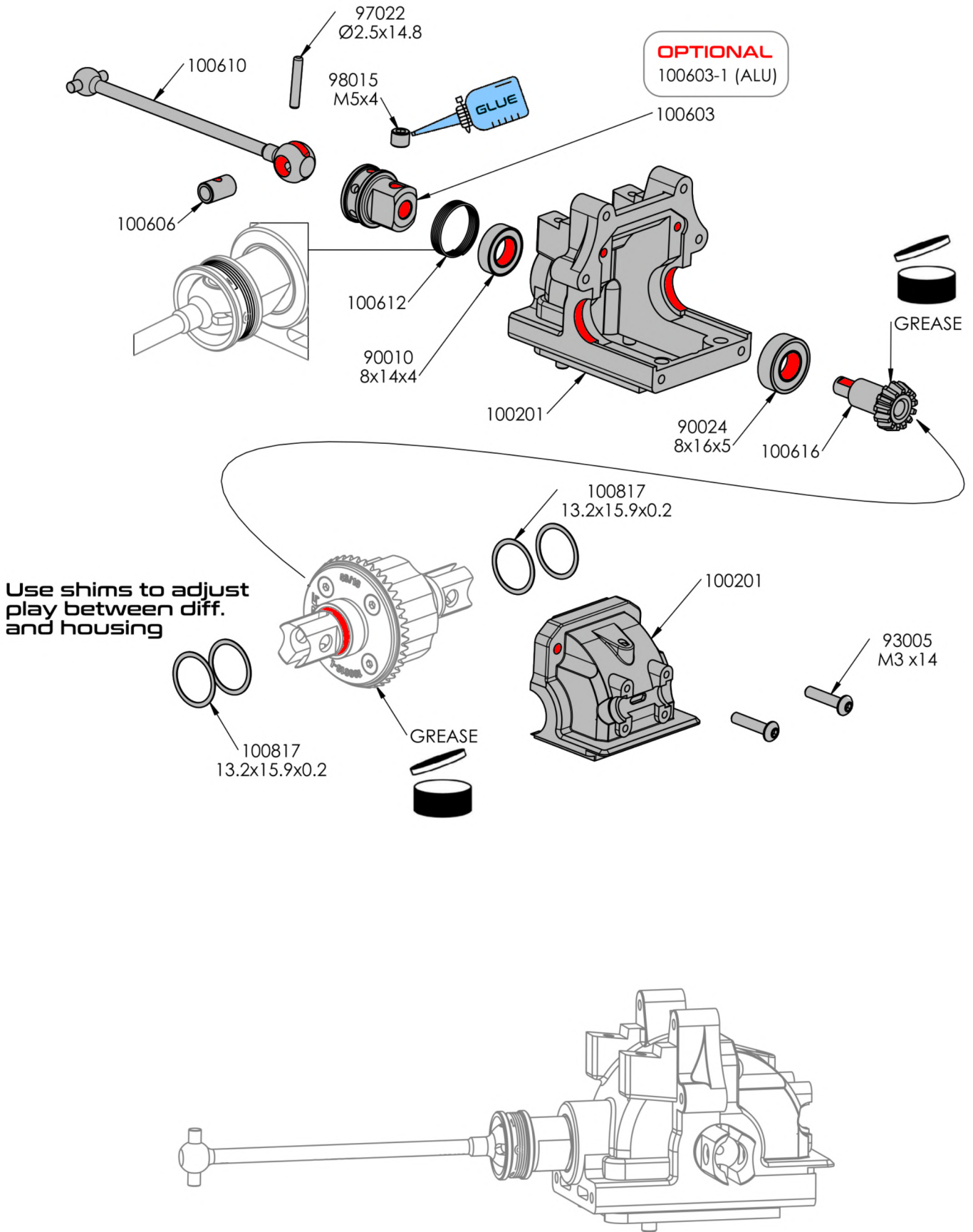
4

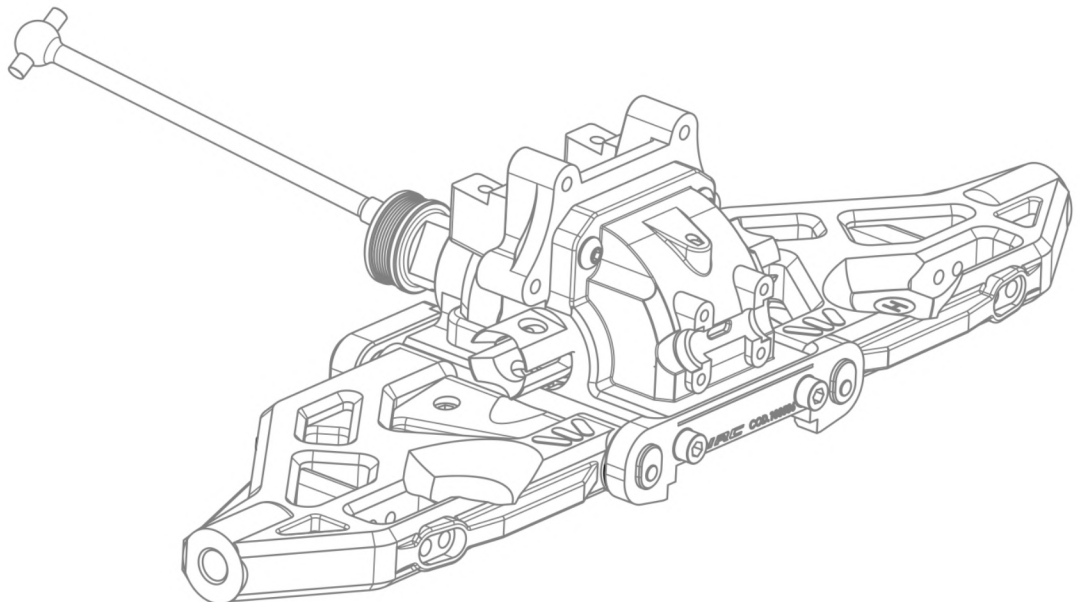
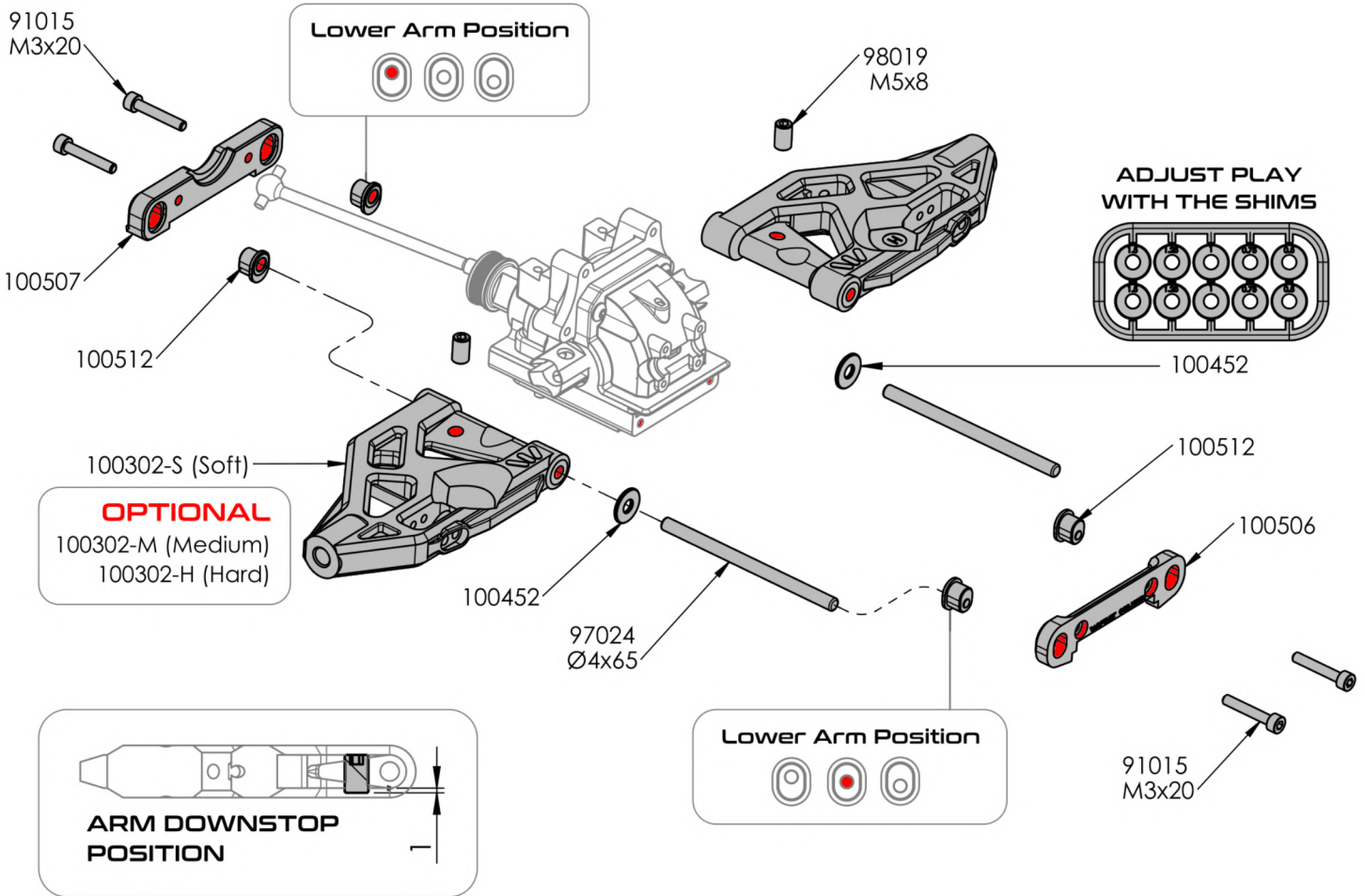


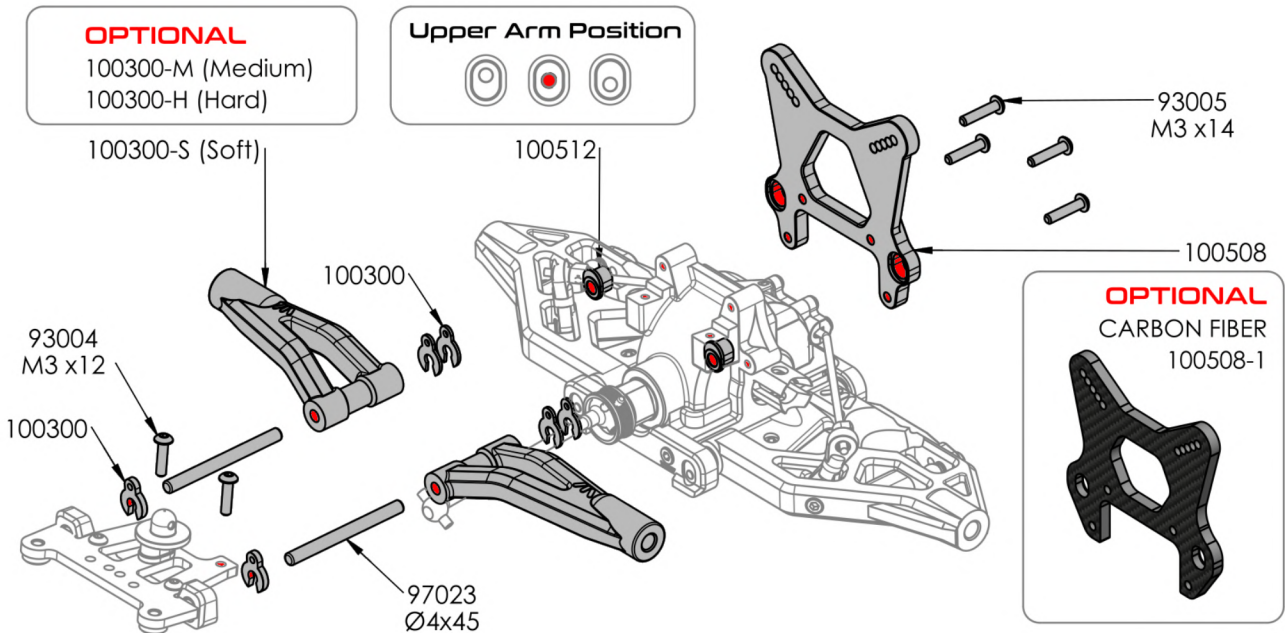
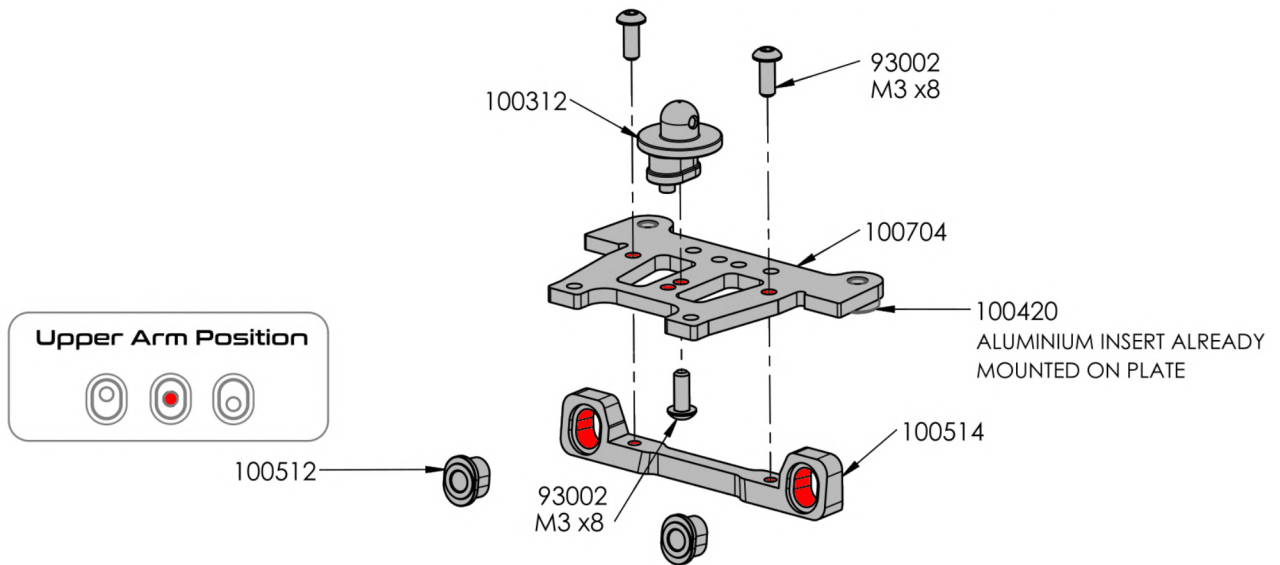
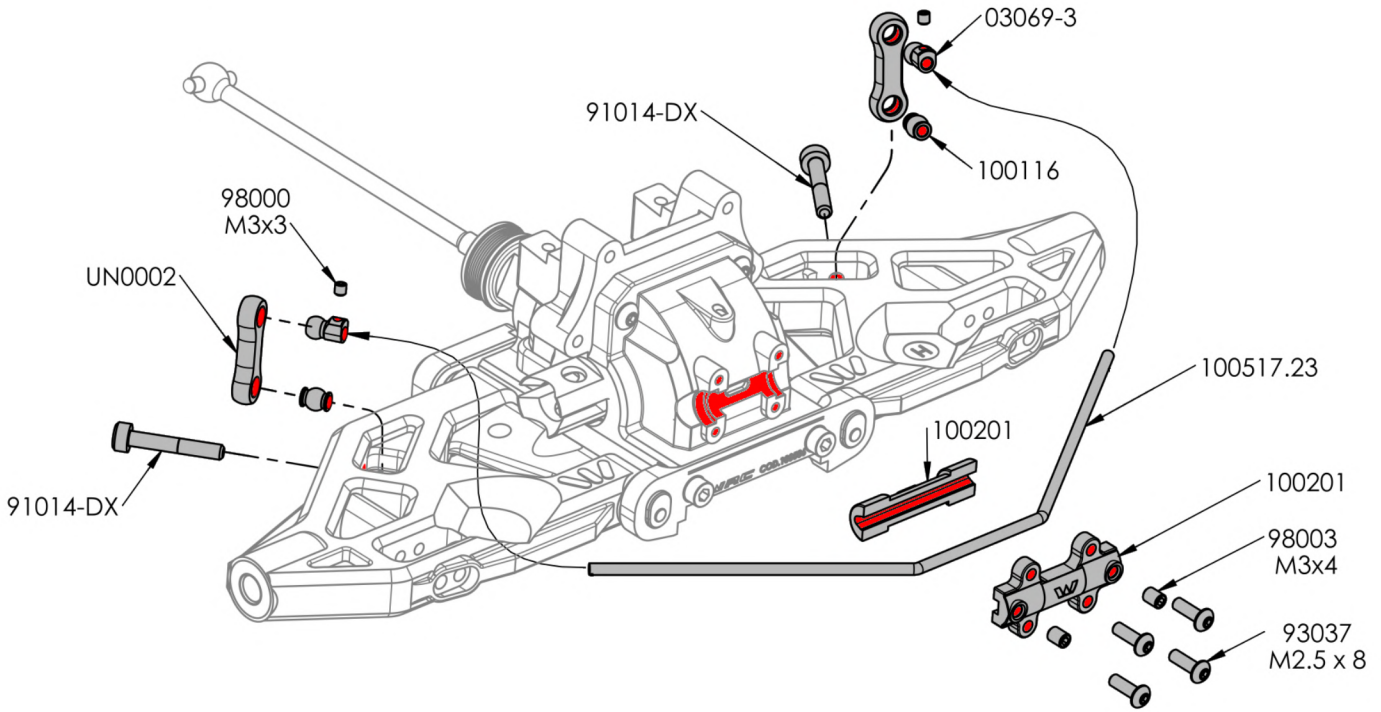




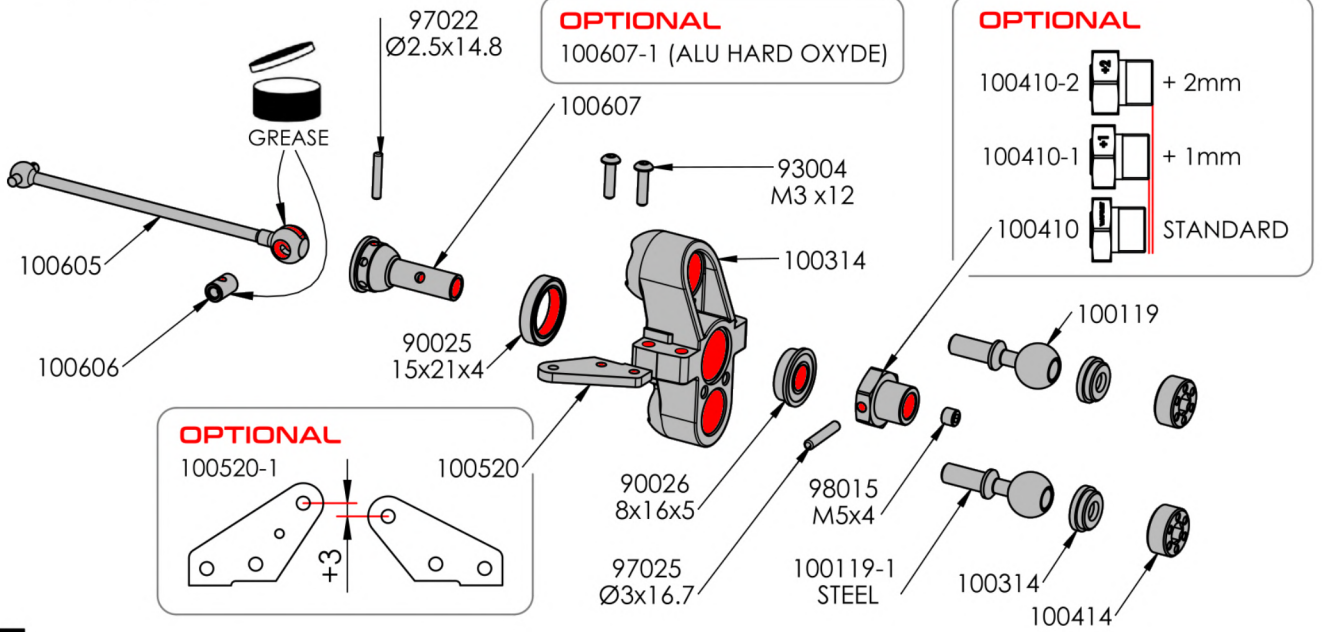






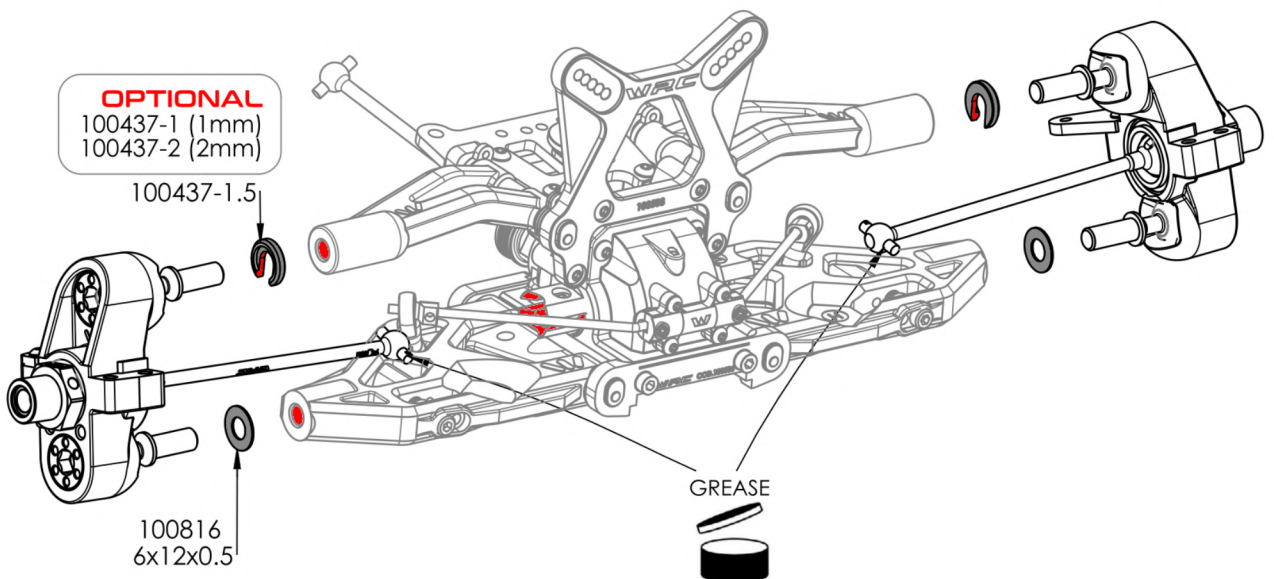
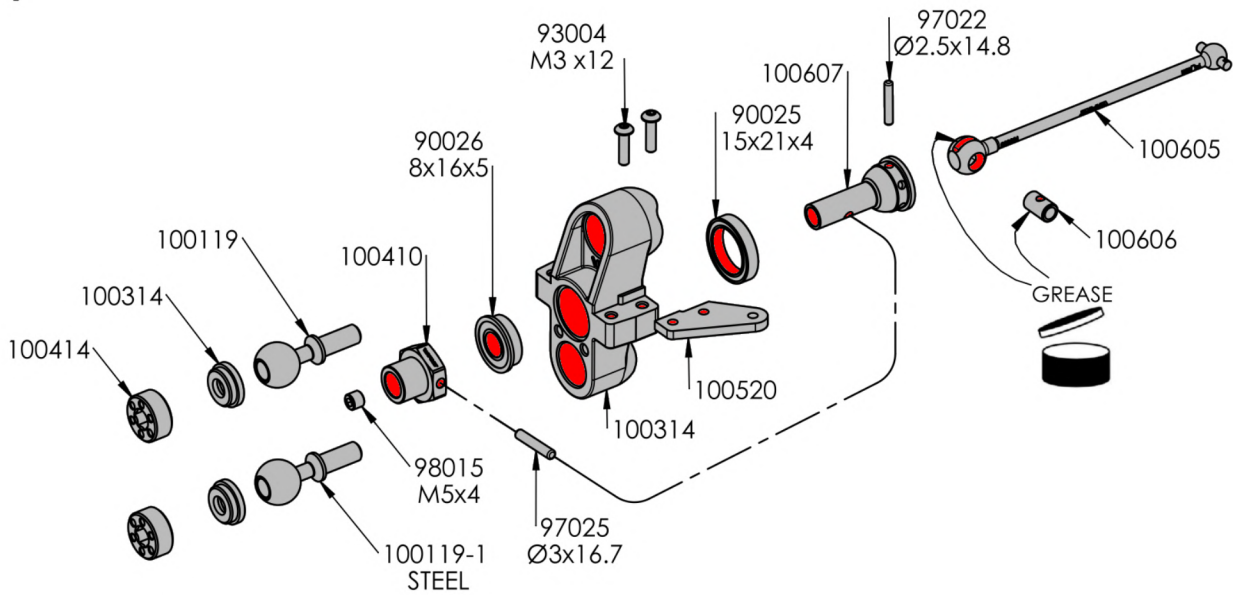






**RIGHT**

**LEFT**

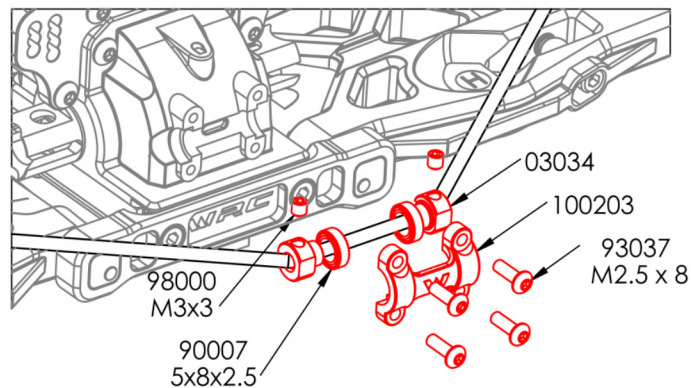
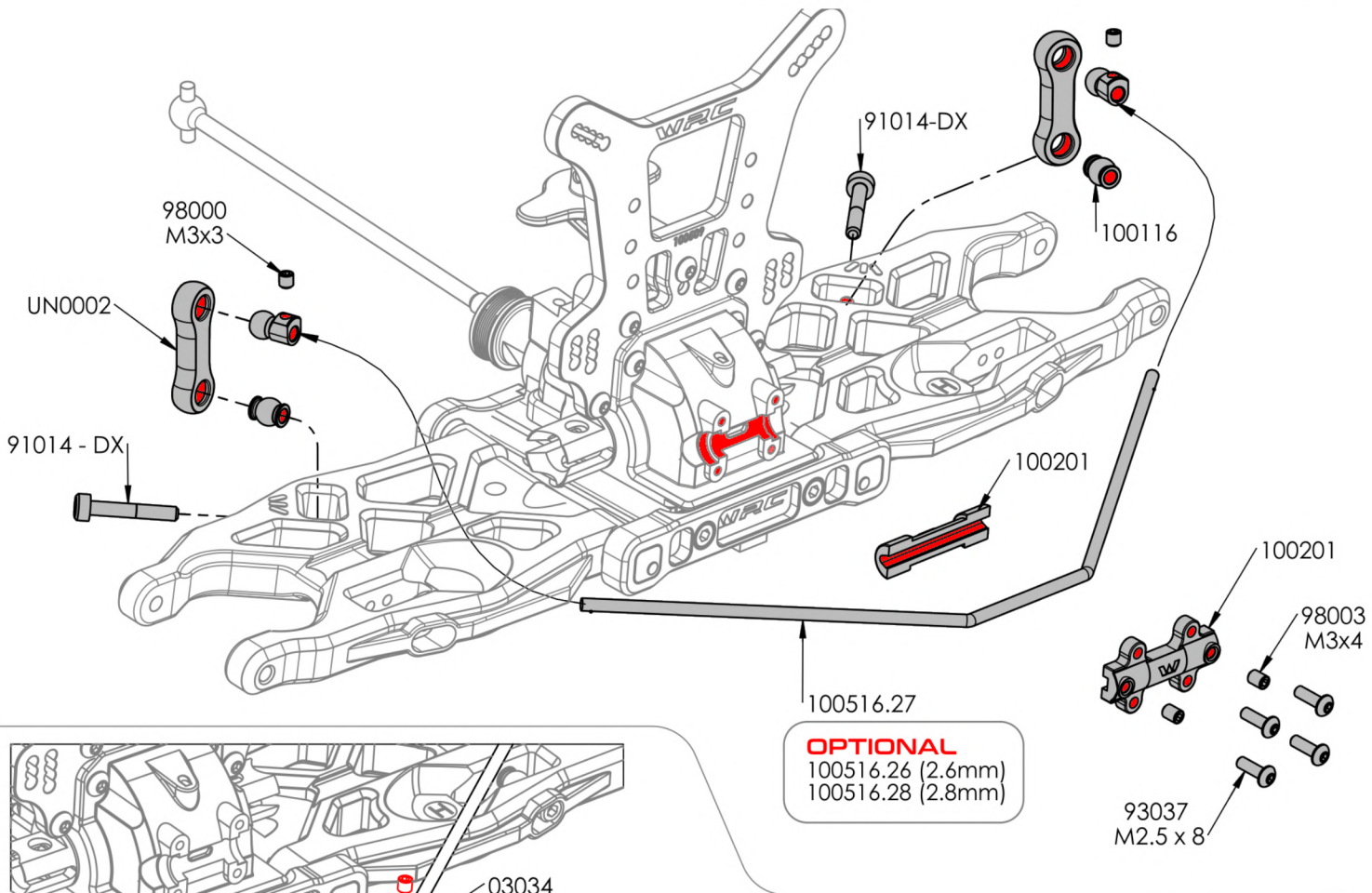
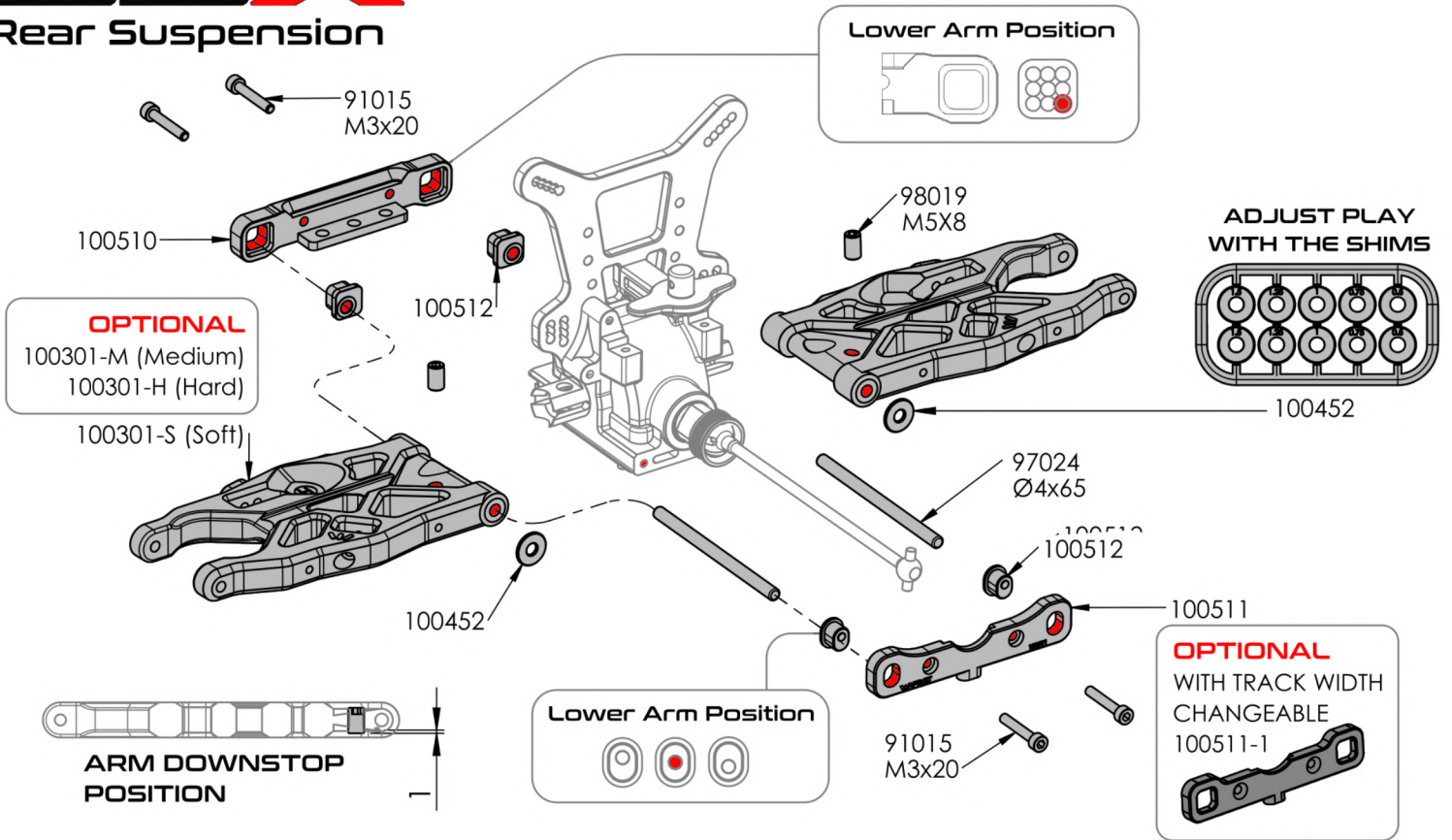




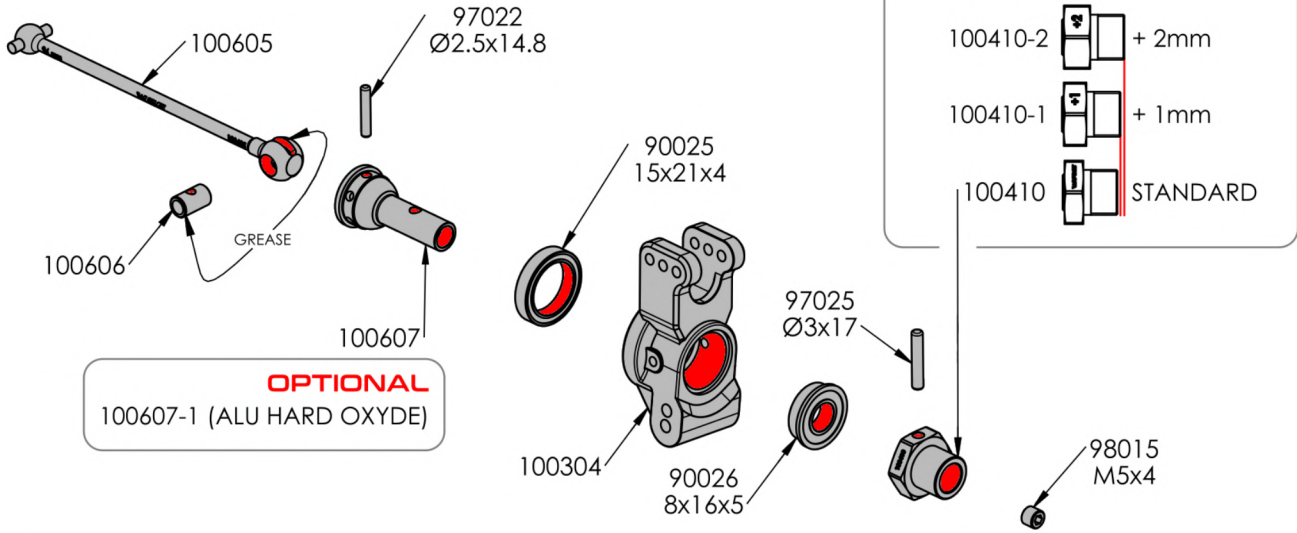
# SBX

## Rear Suspension

# BAG 9

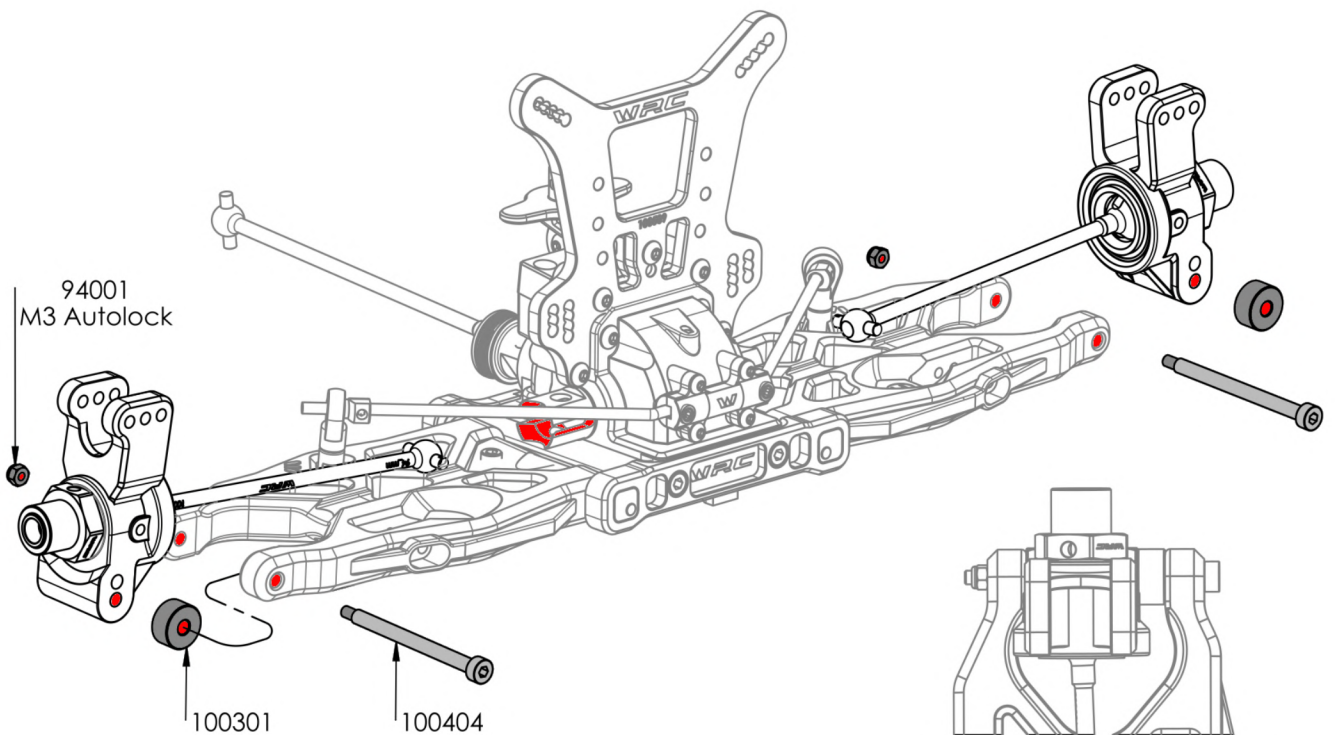
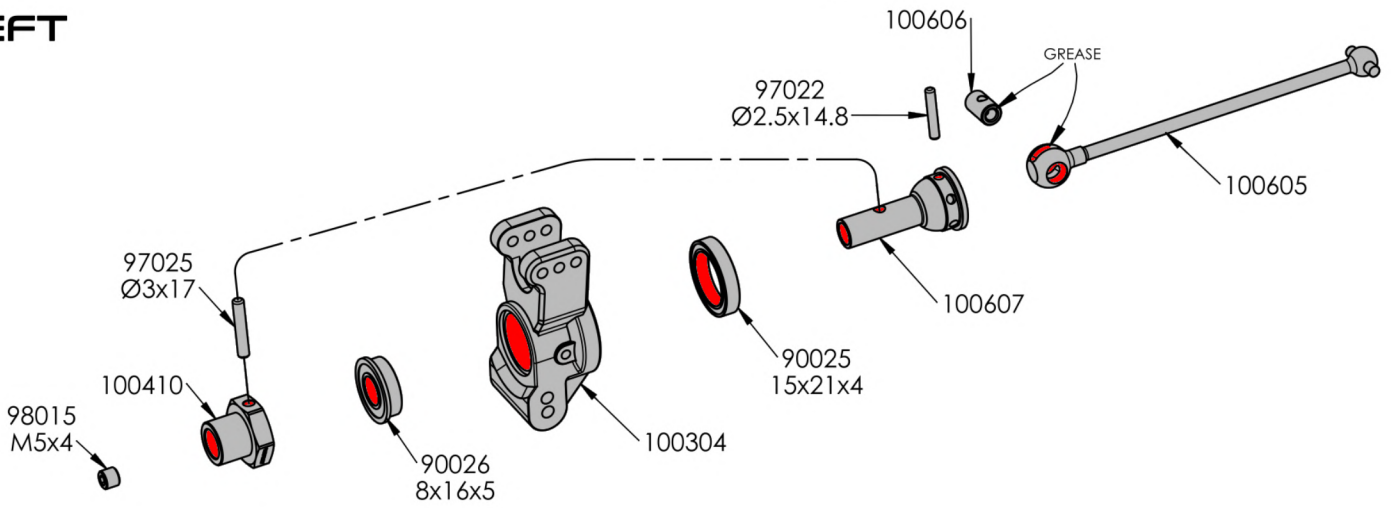


**OPTIONAL**  
**Bearing Mounted Anti roll-bar Kit**  
**Front and Rear**



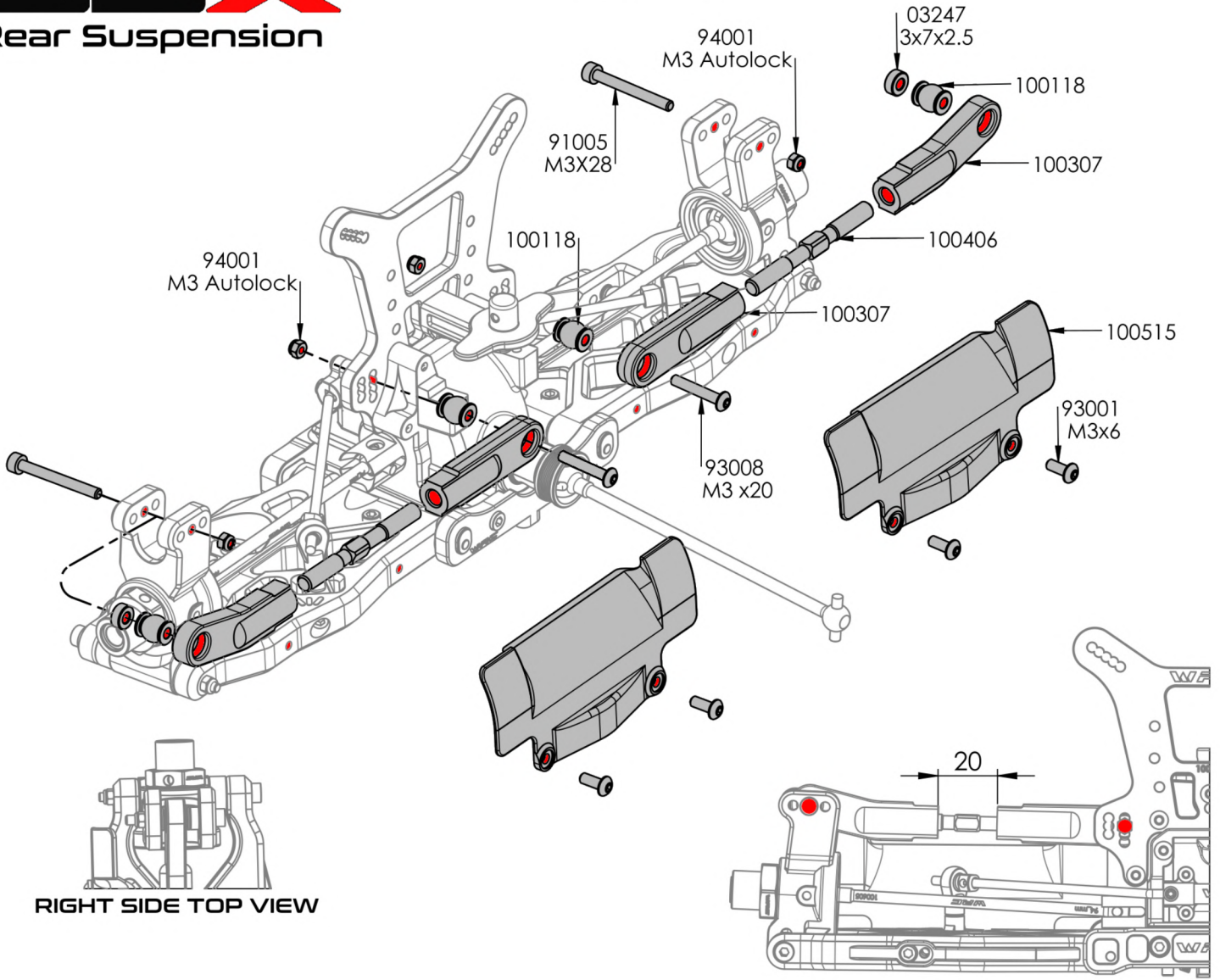
**RIGHT**

**LEFT**

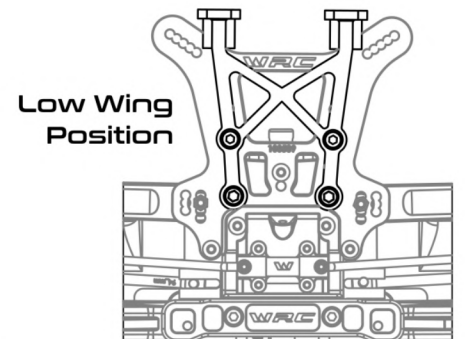
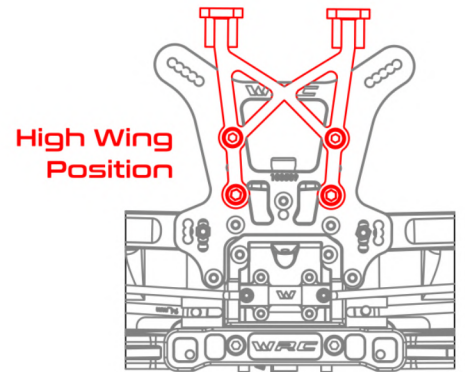
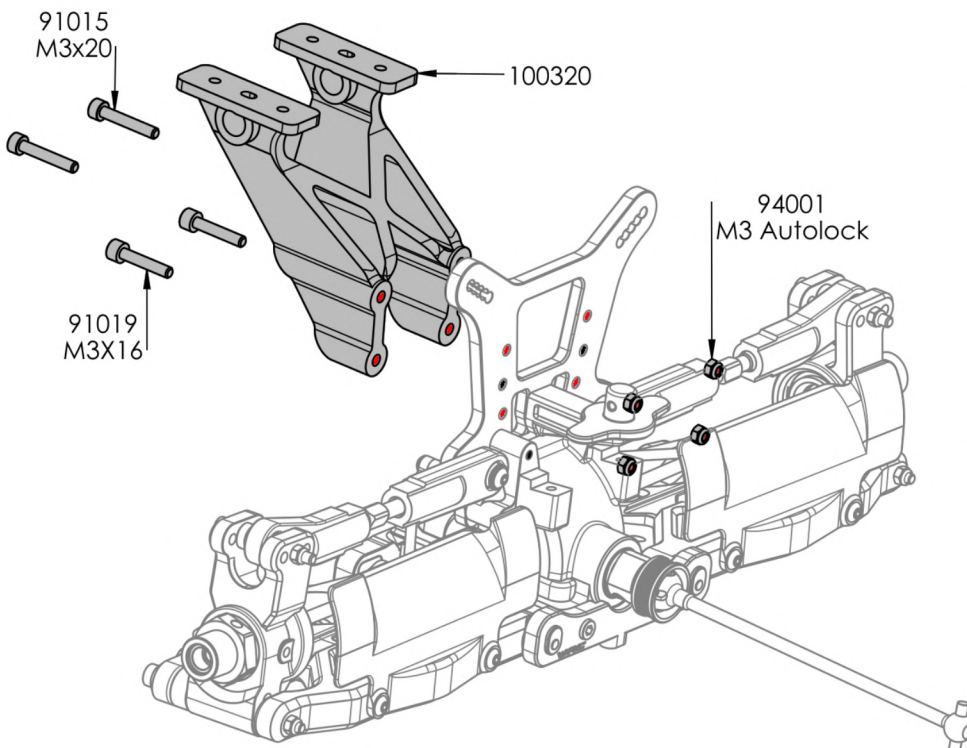


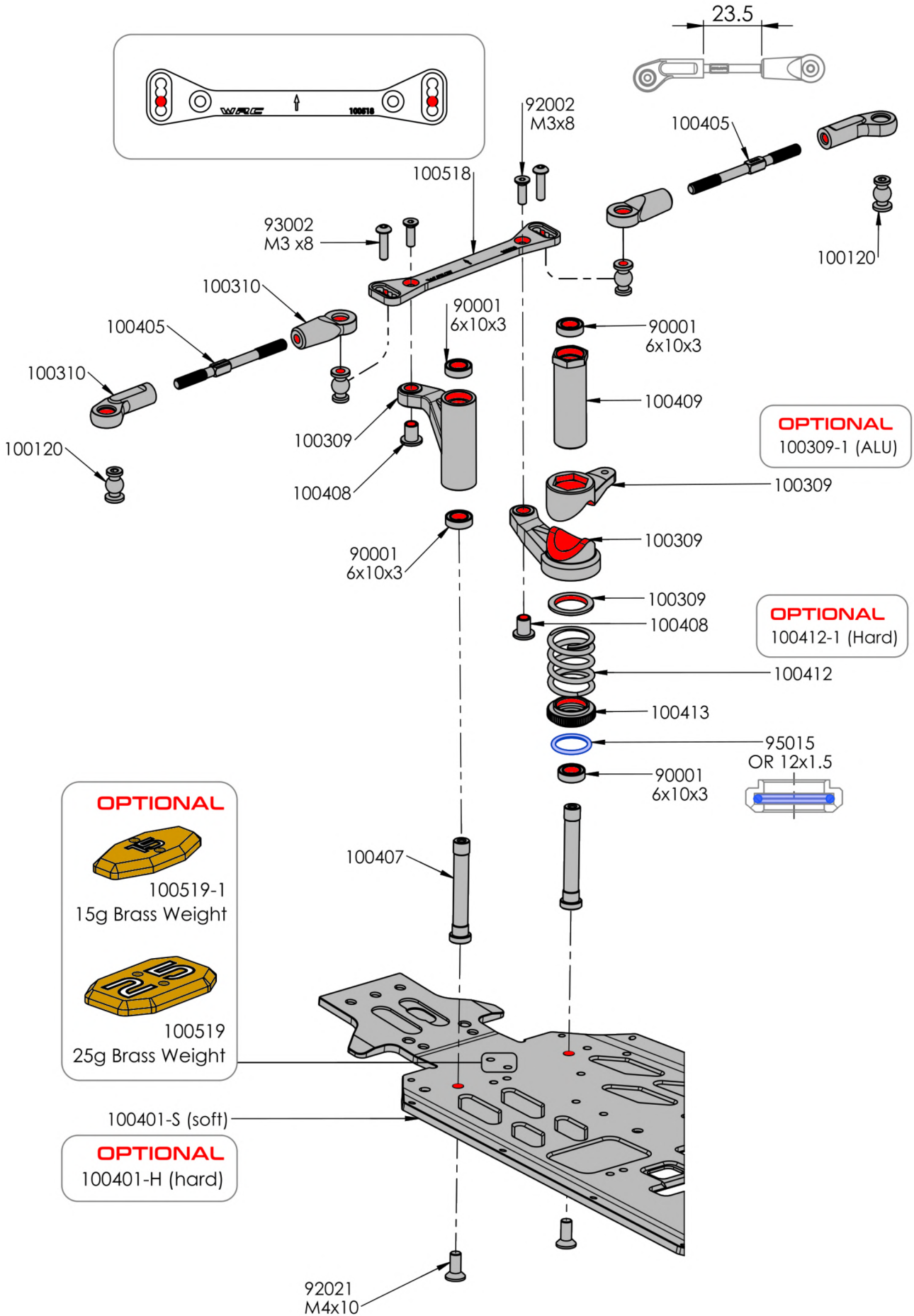
**RIGHT SIDE TOP VIEW**



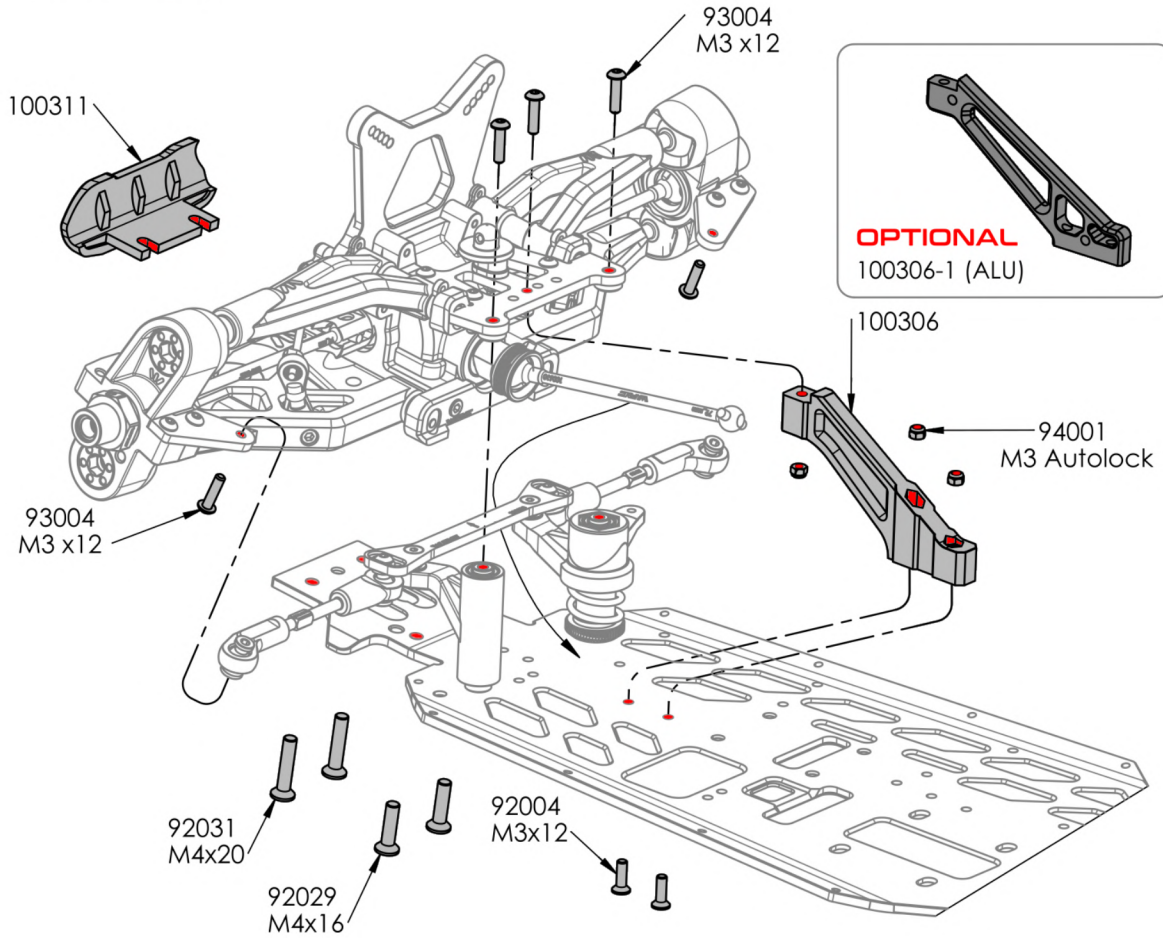


## Rear Wing Support

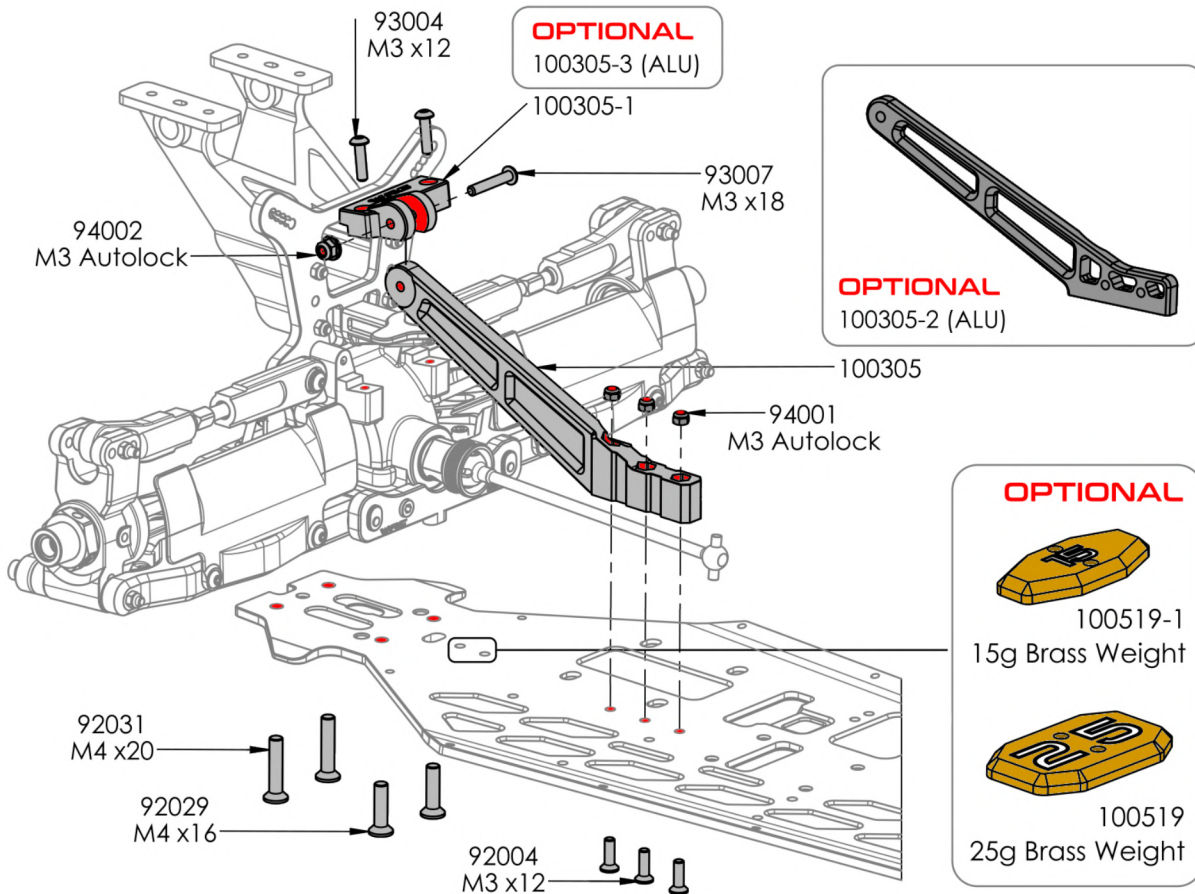


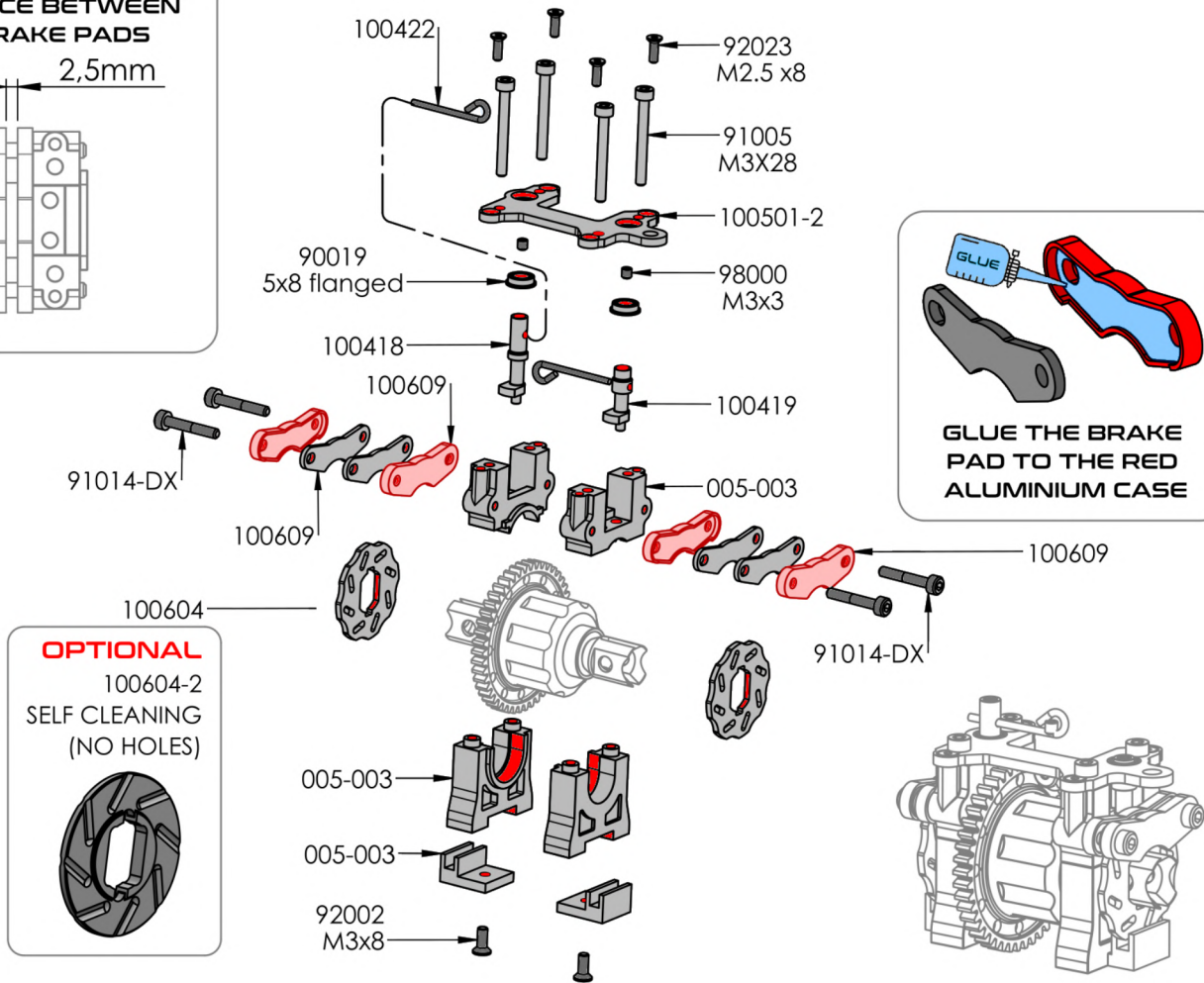
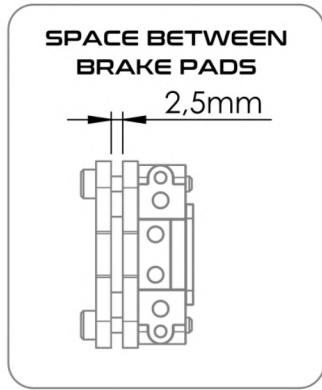




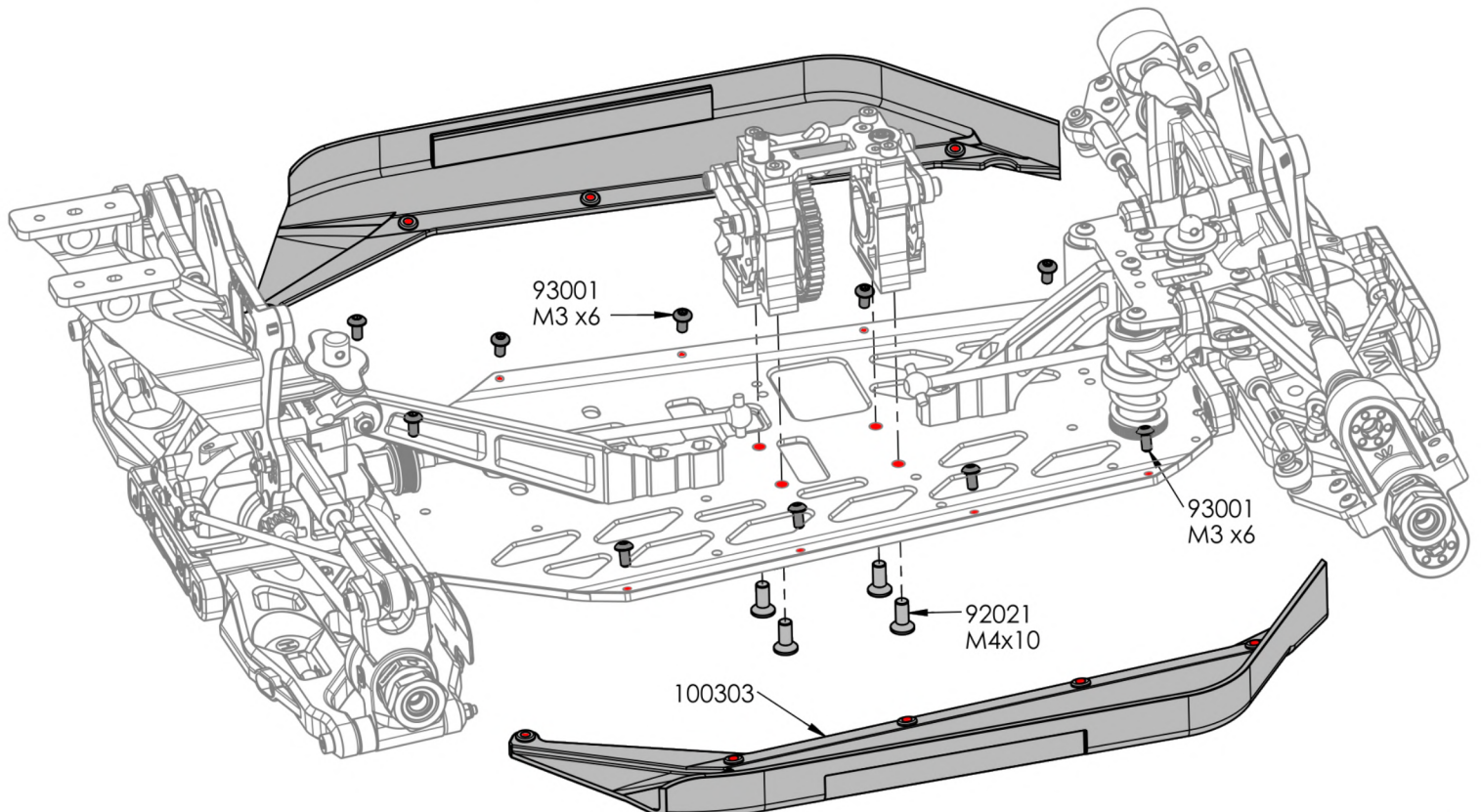


## Rear Assembly



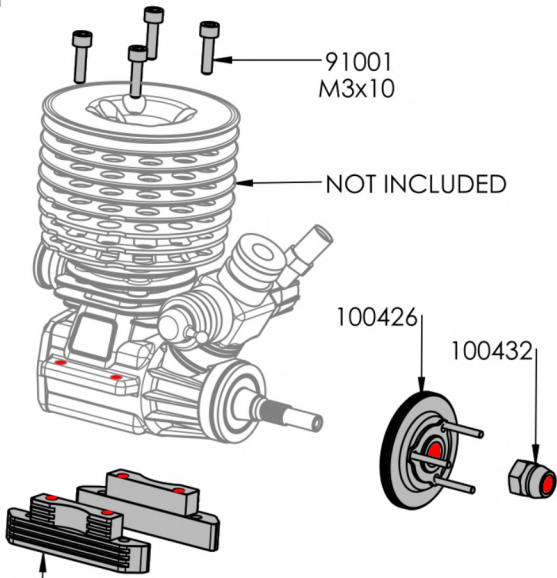


## Central transmission & Side Protection Mount





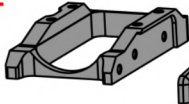
1



100400

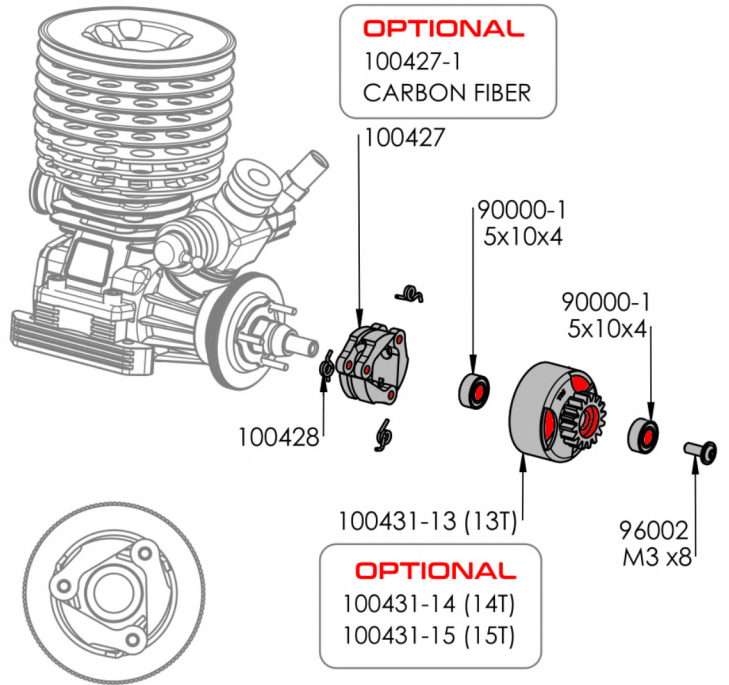
**OPTIONAL**

100403



100403-1

2



**OPTIONAL**

100427-1  
CARBON FIBER

100427

90000-1  
5x10x4

90000-1  
5x10x4

100428

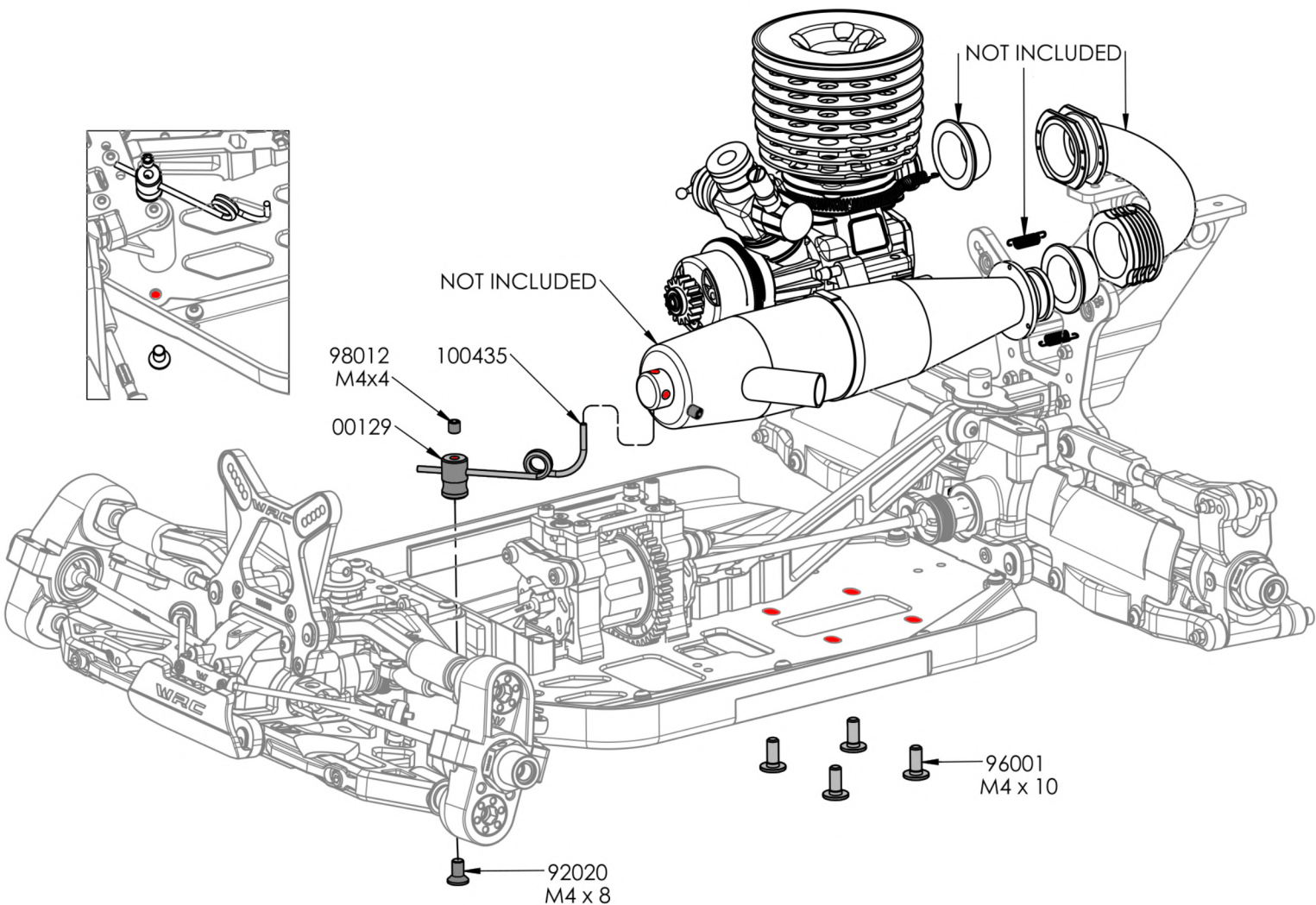
100431-13 (13T)

**OPTIONAL**

100431-14 (14T)

100431-15 (15T)

96002  
M3 x8



NOT INCLUDED

98012  
M4x4

00129

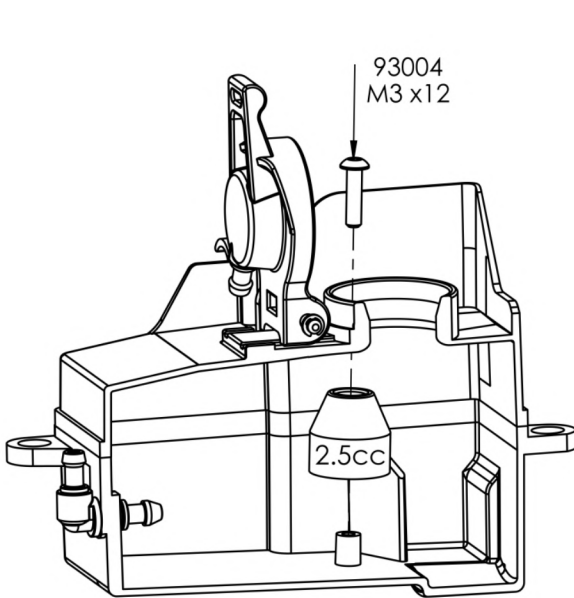
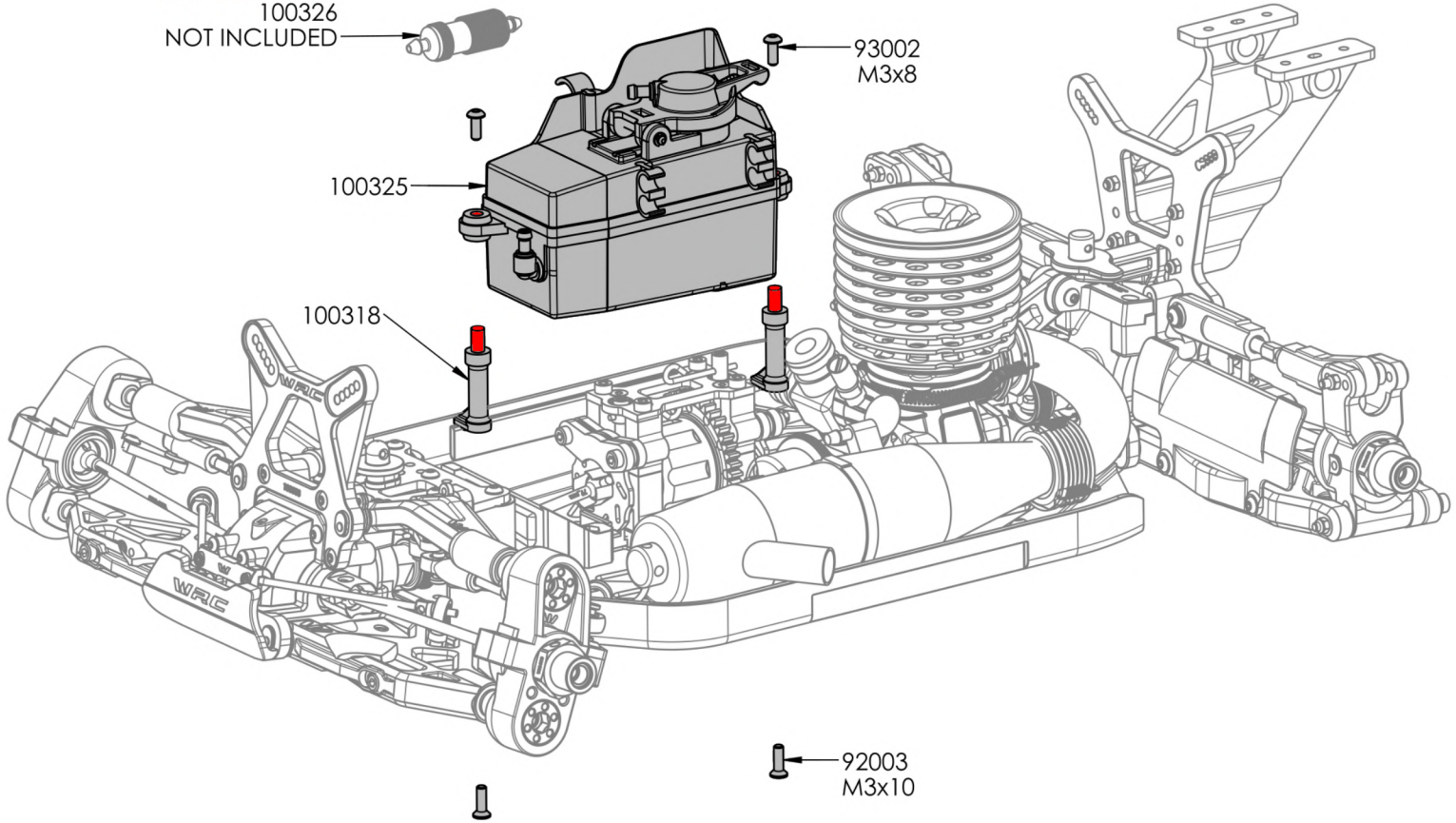
100435

NOT INCLUDED

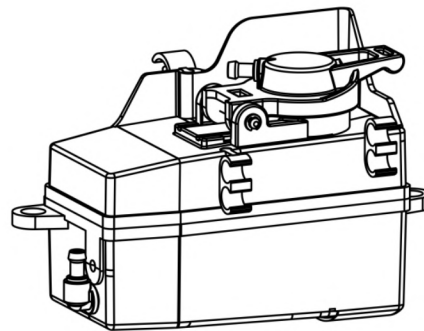
96001  
M4 x 10

92020  
M4 x 8

**OPTIONAL**  
100326  
NOT INCLUDED

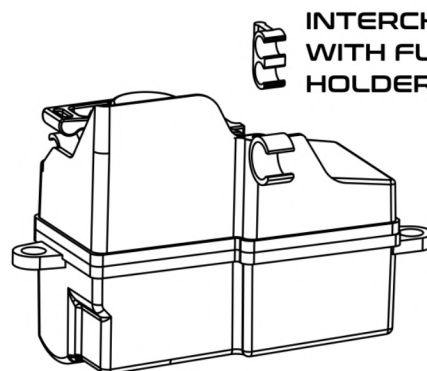


**INSERT ALLOWS TO  
ADJUST THE FUEL  
VOLUME IN THE TANK**



**HIGH POSITION**

**LOW POSITION**

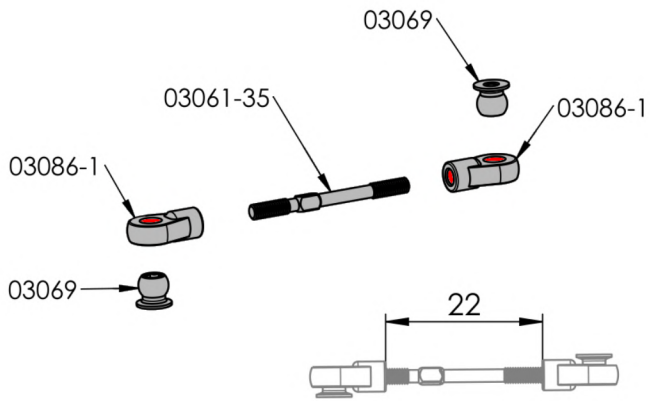


**INTERCHANGEABLE  
WITH FUEL FILTER  
HOLDER**

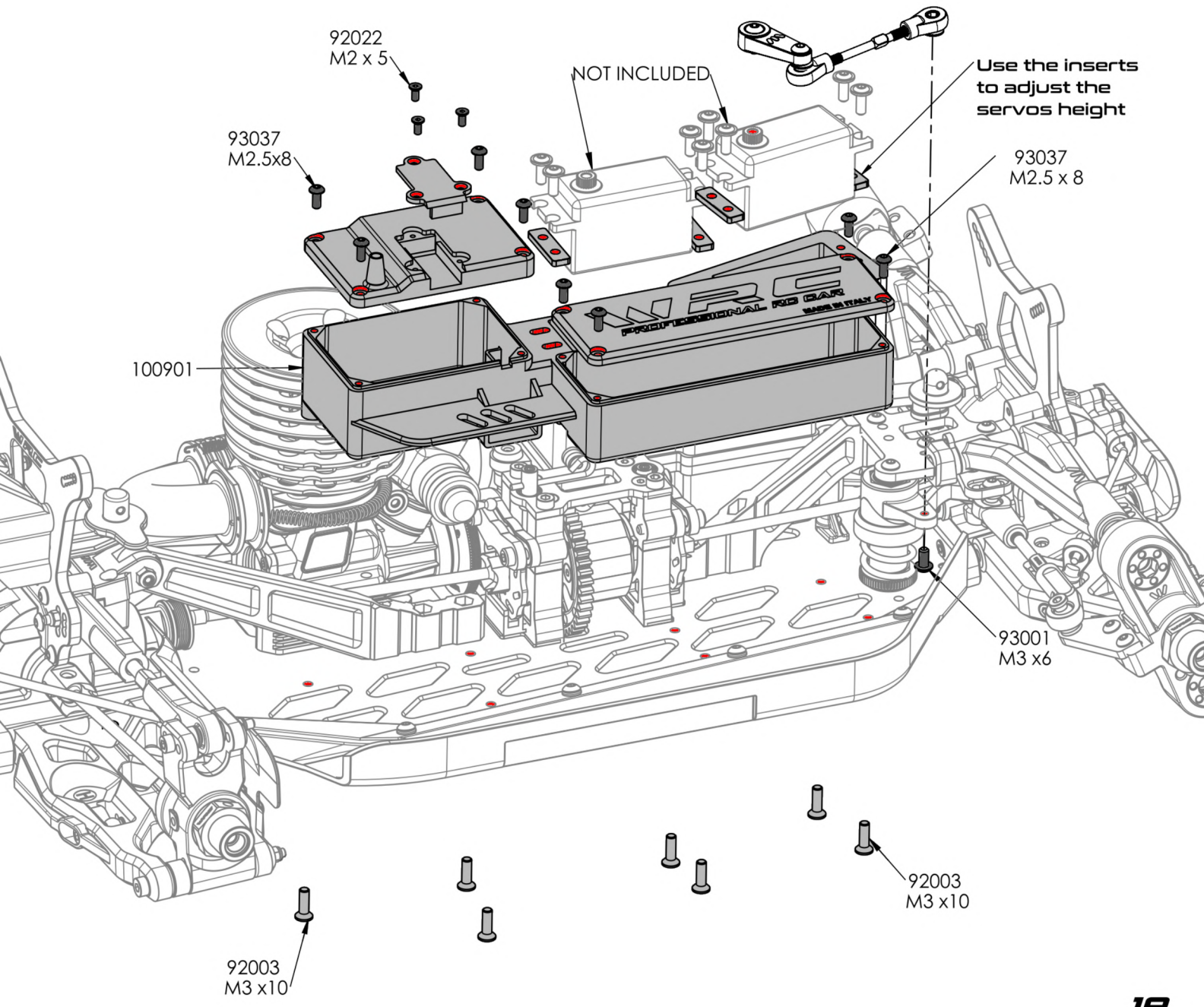
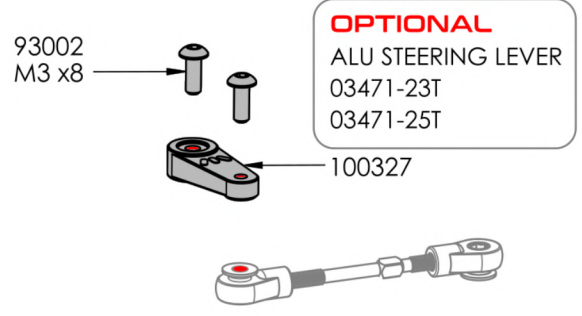


## Radio Case

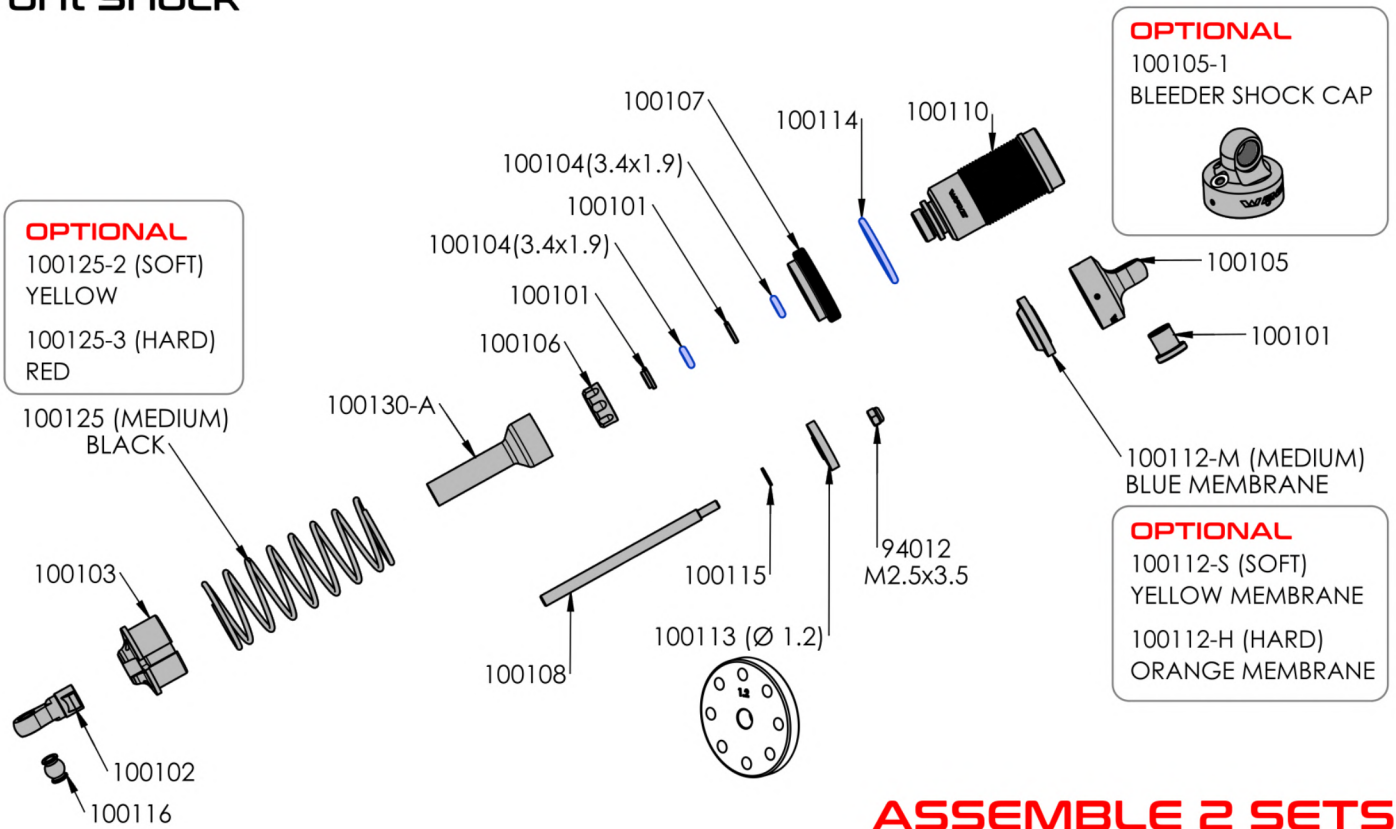
1



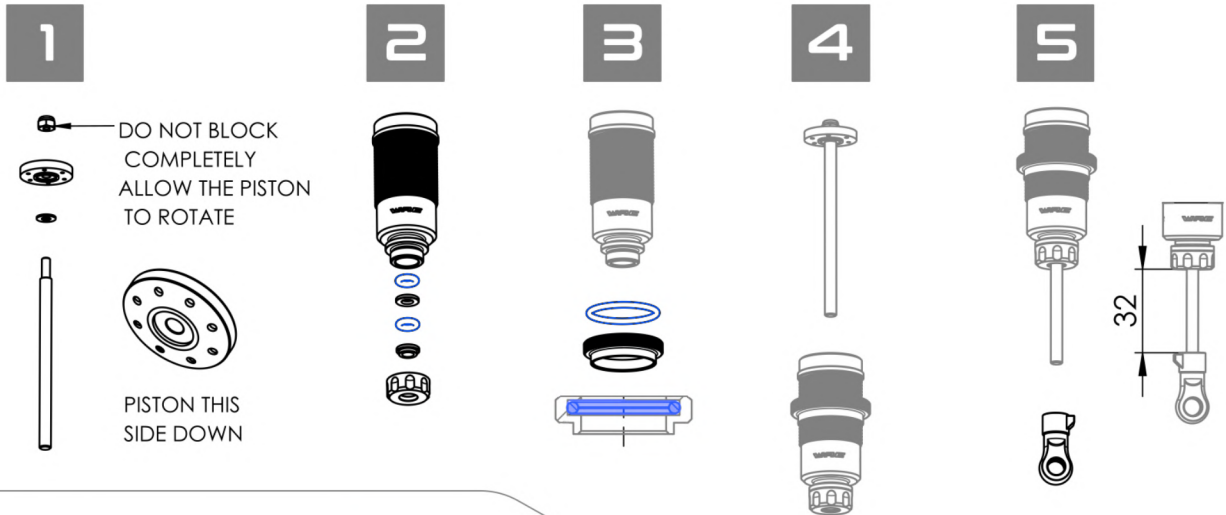
2



## Front Shock



## ASSEMBLE 2 SETS



**6**



### SHOCK FILLING

Fully extend the piston rod so the piston is at the bottom of the shock body.

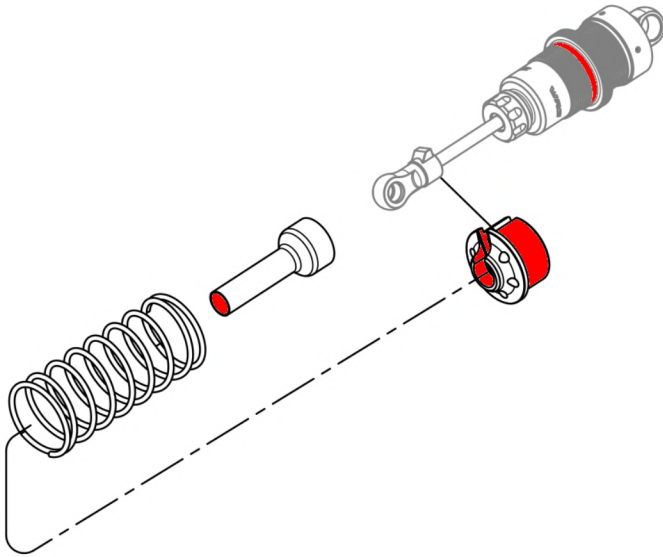
Hold the shock upright and fill the shock body with shock oil as in the picture.

Let the oil settle and allow air bubbles to rise to the top. Slowly move the piston up and down until no more air bubbles appear. Add shock oil as necessary.

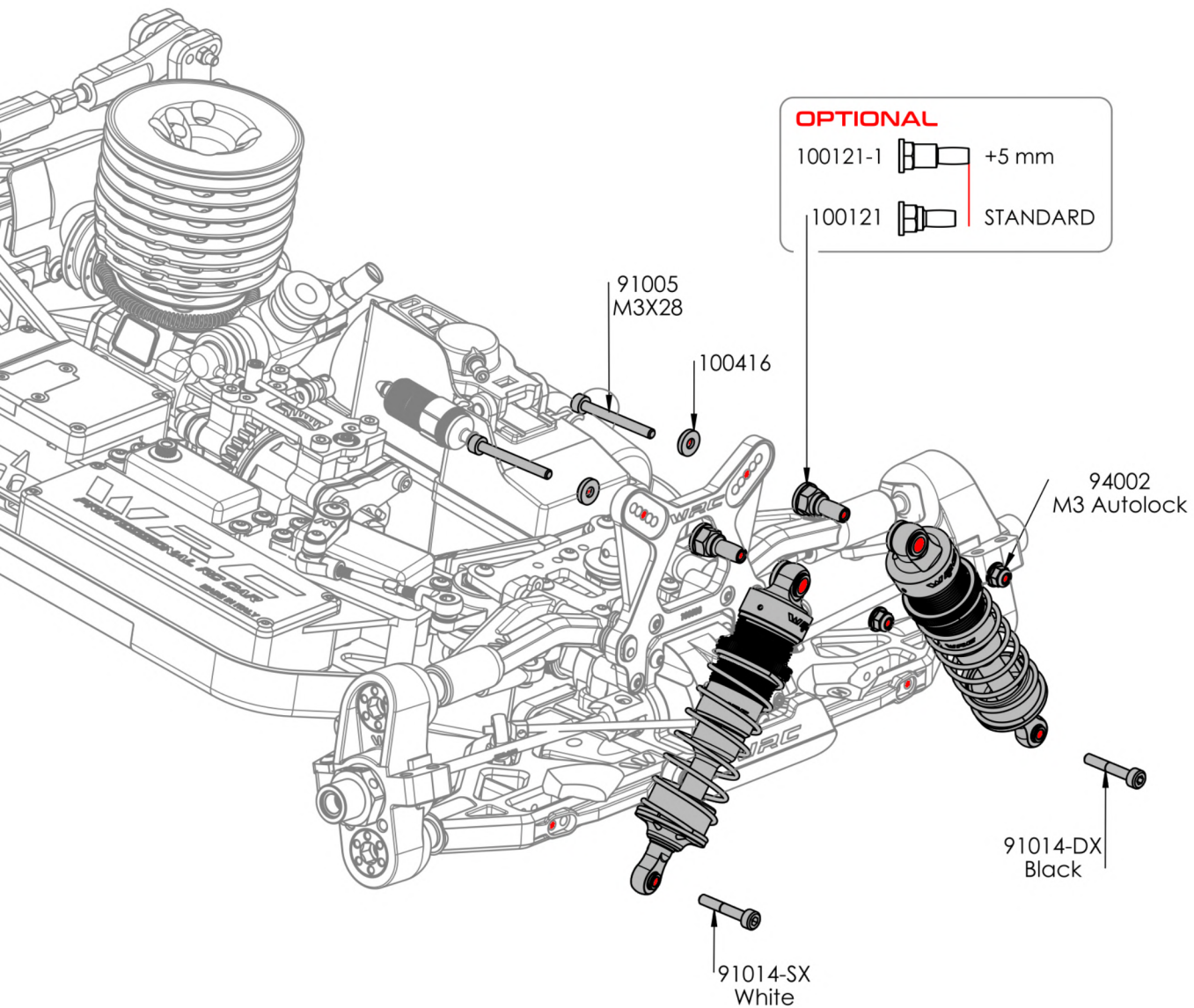
Pull the piston rod most of the way out of the shock bod. Let the shock rest for 5 minutes to allow the air bubbles to scape.

P- ONE SHOCKS OIL	
CODE	CST
SO-400	400
SO-500	500
SO-600	600 (IN KIT)
SO-700	700
SO-800	800

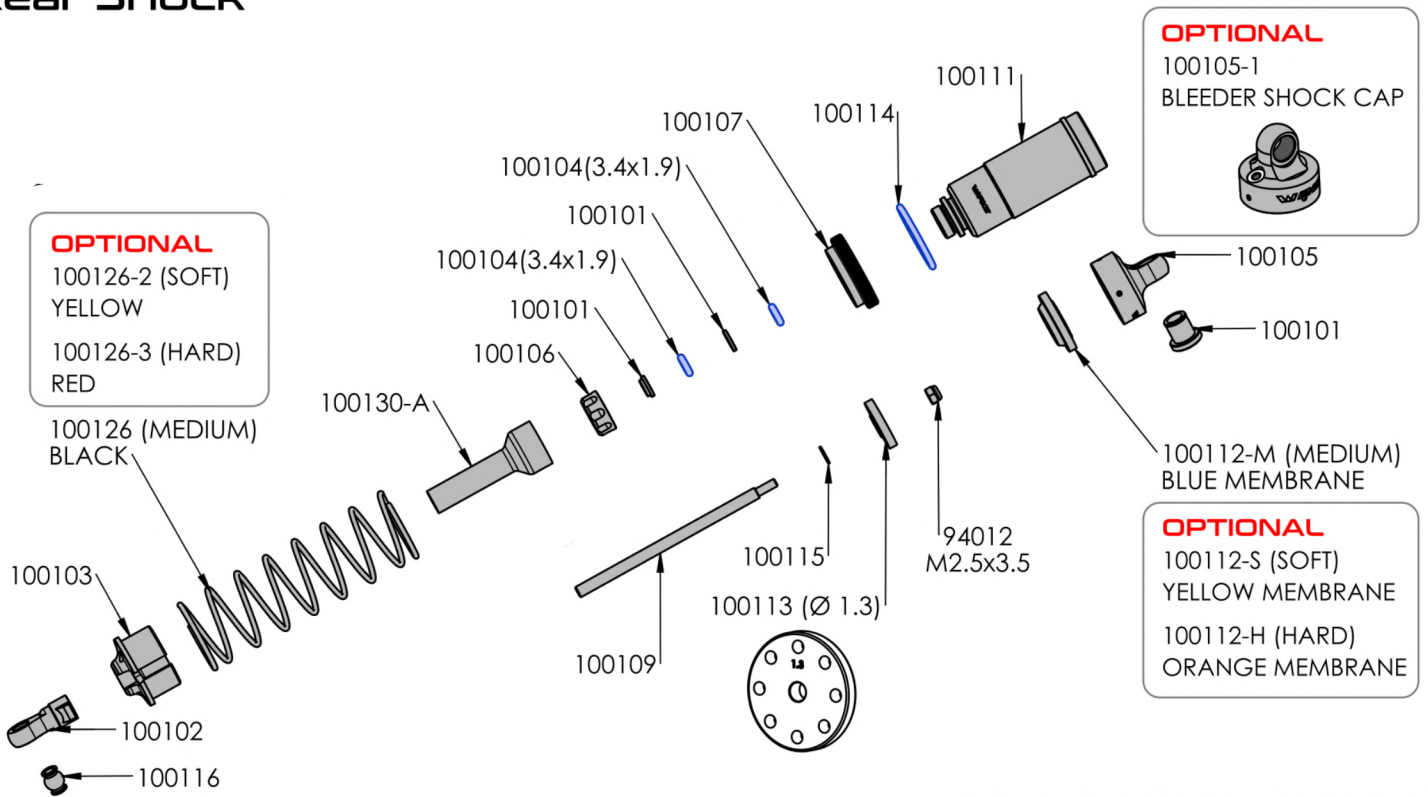
7



8

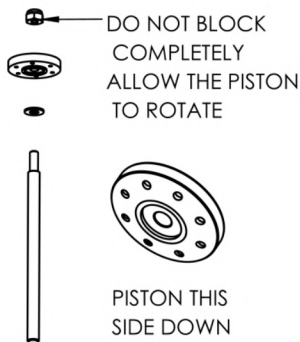






## ASSEMBLE 2 SETS

1



2



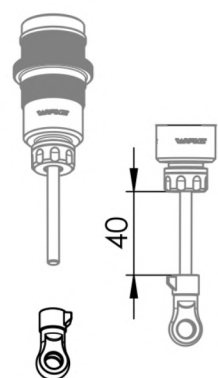
3



4



5



6



### SHOCK FILLING

Fully extend the piston rod so the piston is at the bottom of the shock body.

Hold the shock upright and fill the shock body with shock oil as in the picture.

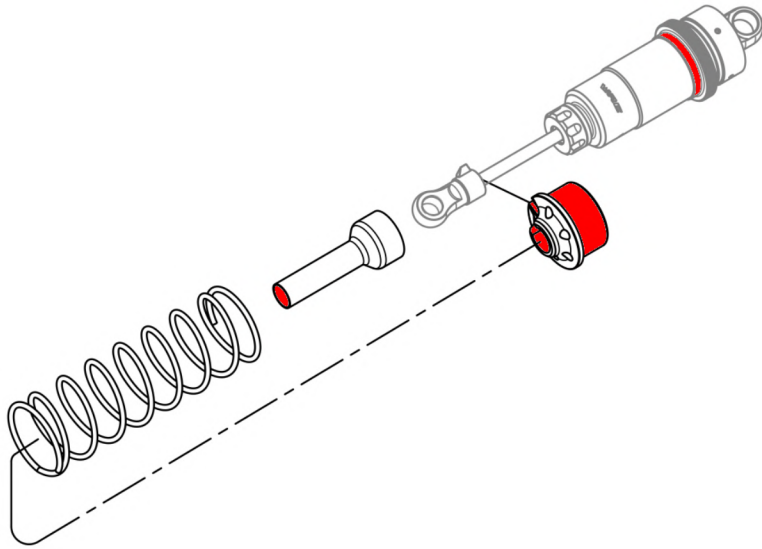
Let the oil settle and allow air bubbles to rise to the top. Slowly move the piston up and down until no more air bubbles appear. Add shock oil as necessary.

Pull the piston rod most of the way out of the shock body. Let the shock rest for 5 minutes to allow the air bubbles to escape.

### P- ONE SHOCKS OIL

CODE	CST
SO-400	400
SO-500	500
SO-600	600 (IN KIT)
SO-700	700
SO-800	800

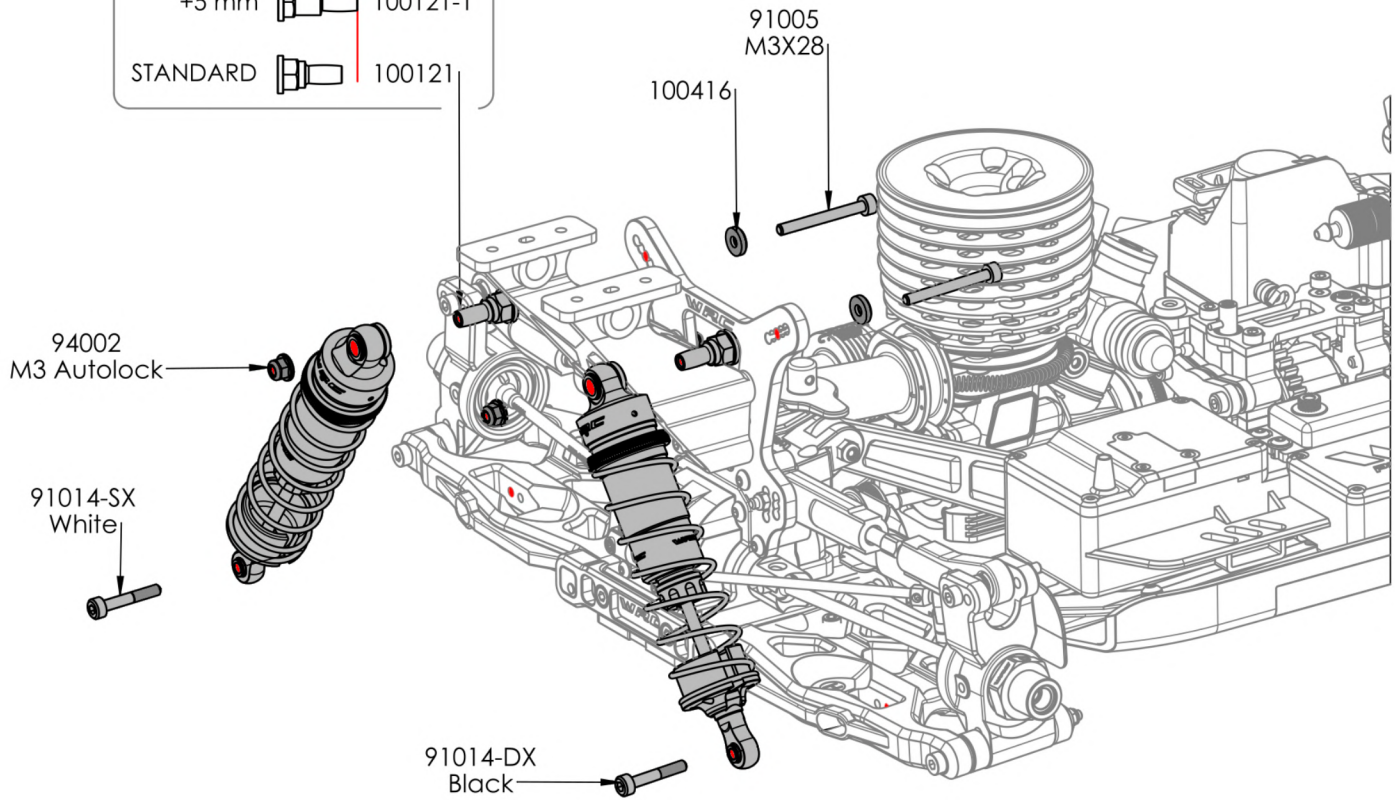
7

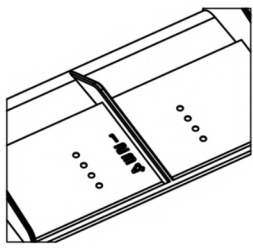


8

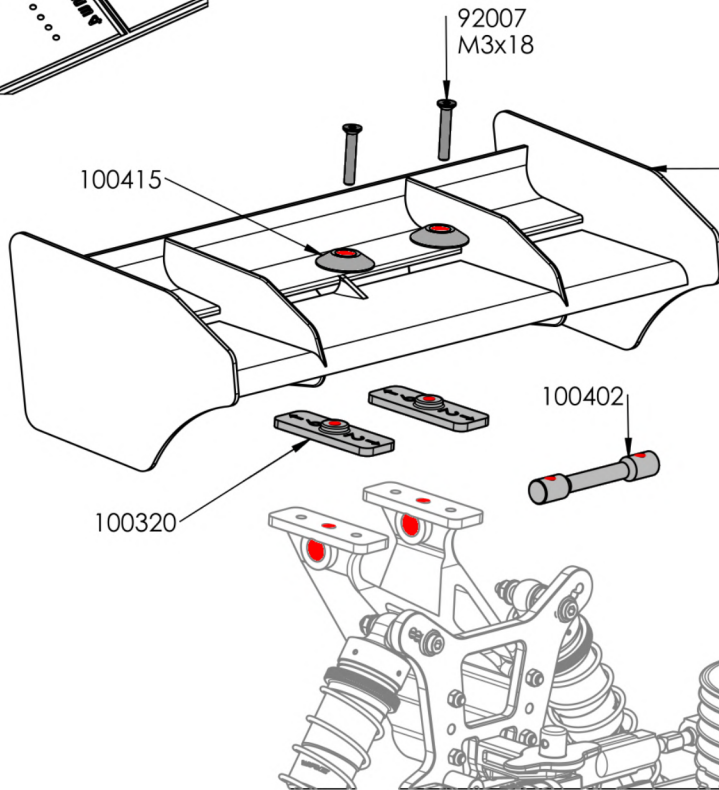


	OPTIONAL
+5 mm	100121-1
STANDARD	100121





Drill holes on the wing following the reference points



**OPTIONAL**

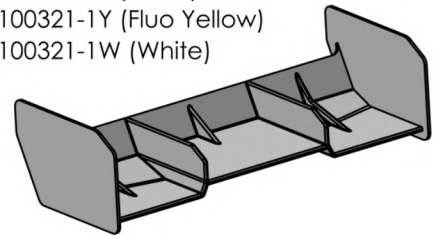
- 100321-B (Black)
- 100321-Y (Fluo Yellow)

100321-W (White)

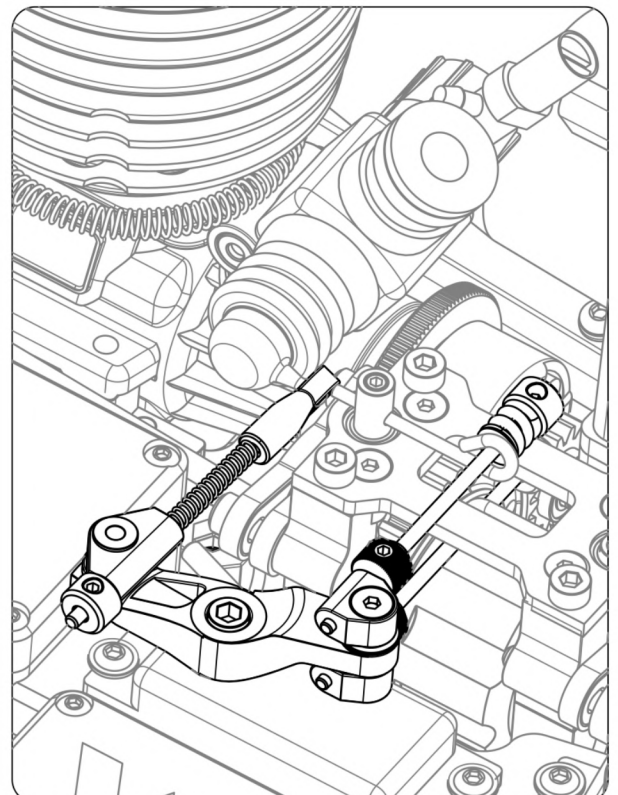
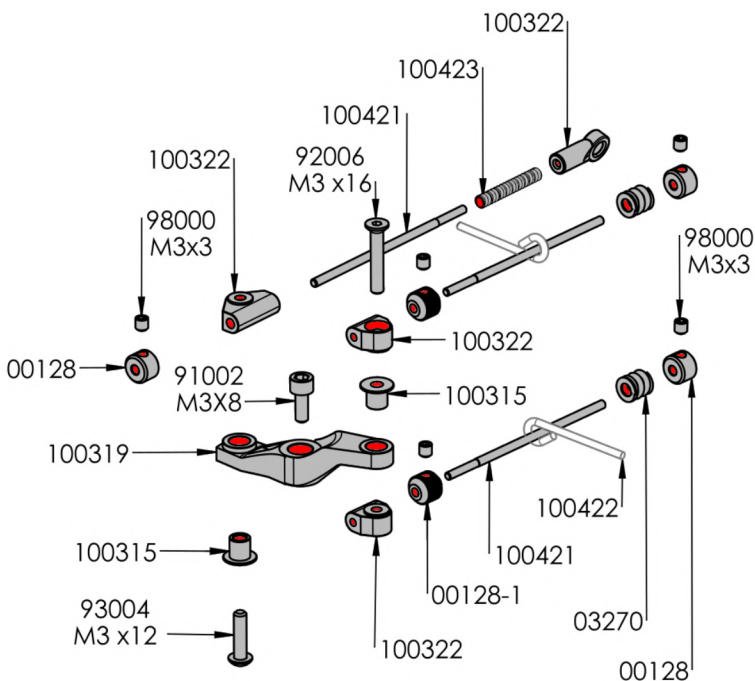
**OPTIONAL**

**HIGH DOWNFORCE WING**

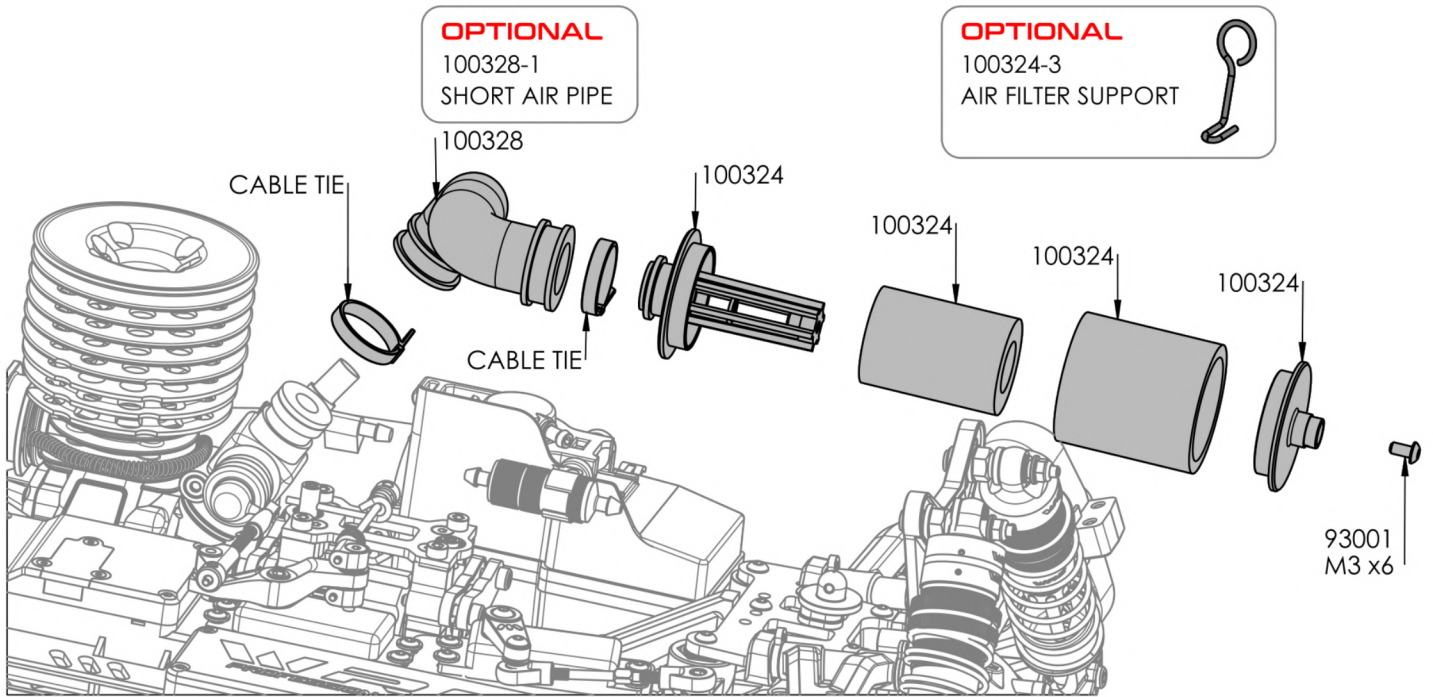
- 100321-1B (Black)
- 100321-1Y (Fluo Yellow)
- 100321-1W (White)



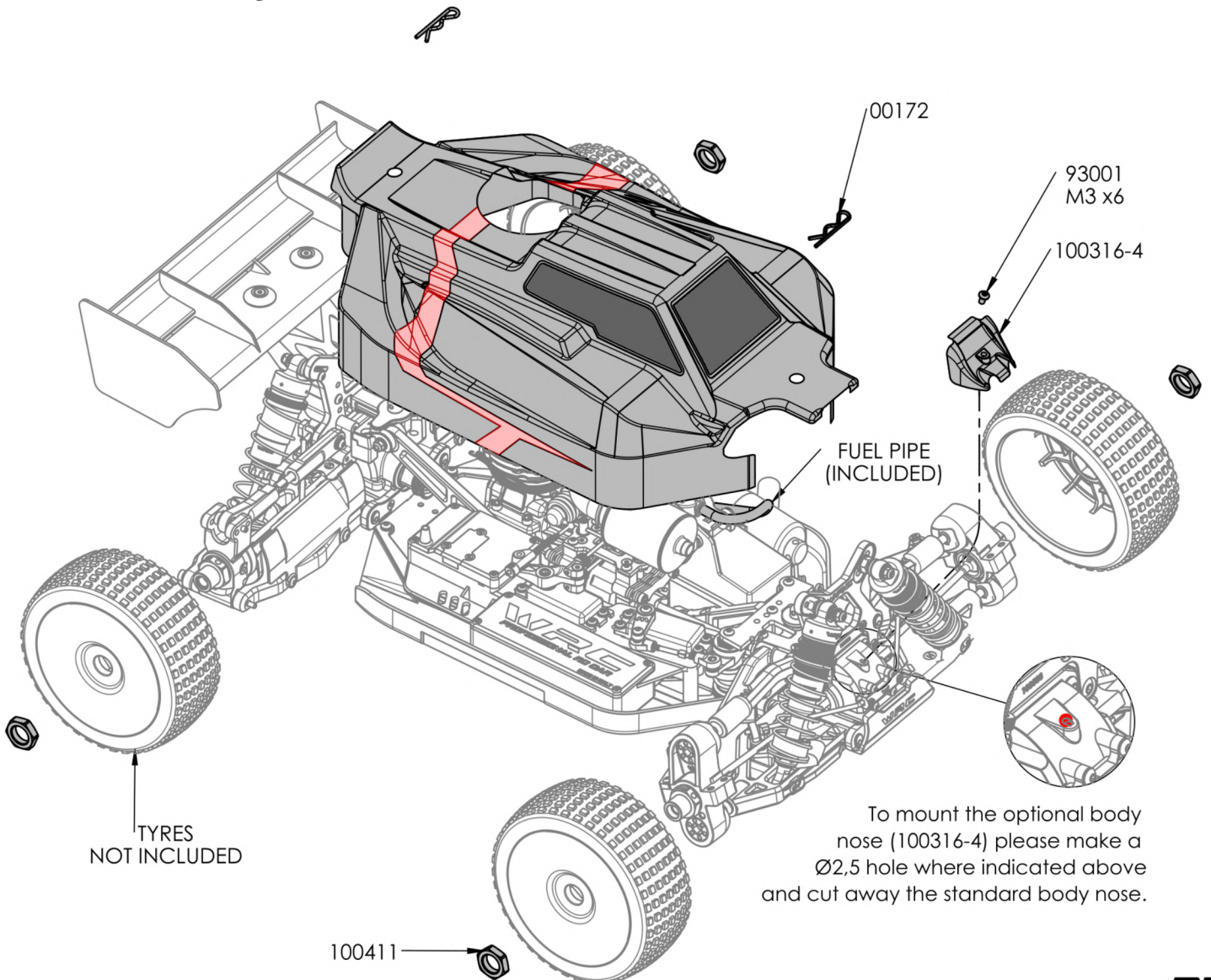
## Brake and Throttle leverage







## Final Assembly



Driver: \_\_\_\_\_

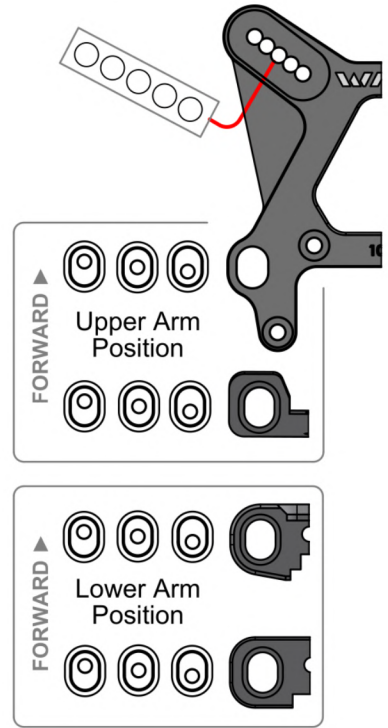
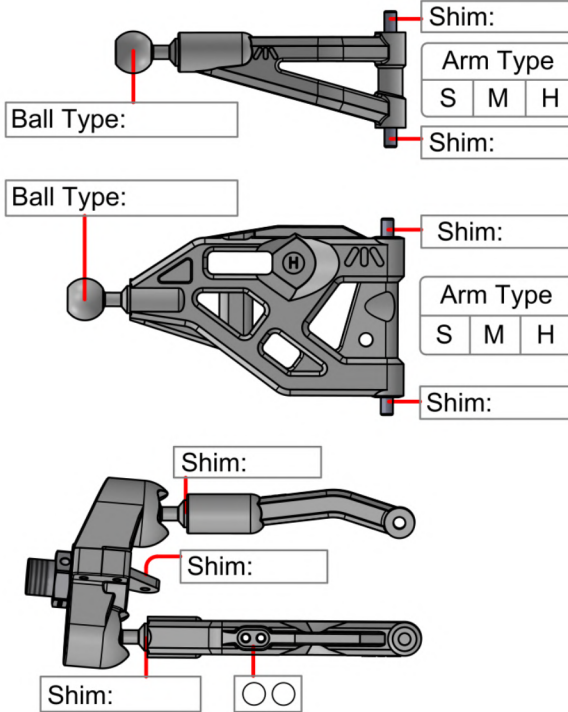
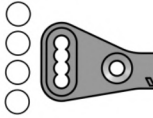
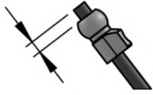
Track: \_\_\_\_\_

Date: \_\_\_\_\_

Event: \_\_\_\_\_

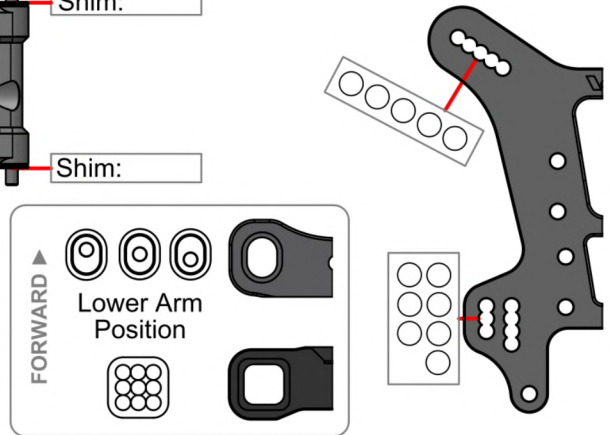
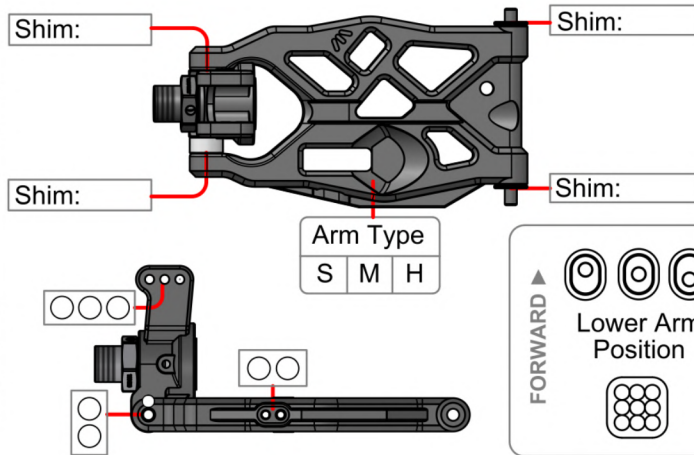
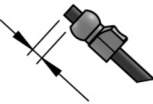
## FRONT

Ride Height:
Camber:
Toe:
Anti-Roll Bar
Size:
Gap:
Ackerman
Drive Shaft:
Chassie Brace:
Hex:



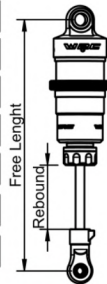
## REAR

Ride Height:
Camber:
Toe:
Anti-Roll Bar
Size:
Gap:
Drive Shaft:
Chassie Brace:
Hex:



## SHOCKS

	Front	Rear
Piston:		
Membrane:		
Oil:		
Spring:		
Rebound:		
Free Length:		



## DIFFERENTIAL

	Front	Center	Rear
Case Mat.:			
Oil:			
Crown Gear:			
Clutch Belt:		Spur Gear	
Shoe:		Spring	

## GEARING

## TYRES

	Front	Rear
Brand:		
Pattern:		
Insert:		
Wheels:		
Compound:		

## ENGINE

Type:
Muffler:
Manifold:
Plug:

## BODY & WING

Body:
Wing:
Wing Height:
Gap to tower:

## NOTES / OPTIONALS

-----

-----

-----

-----

-----

-----

-----

-----

-----

-----

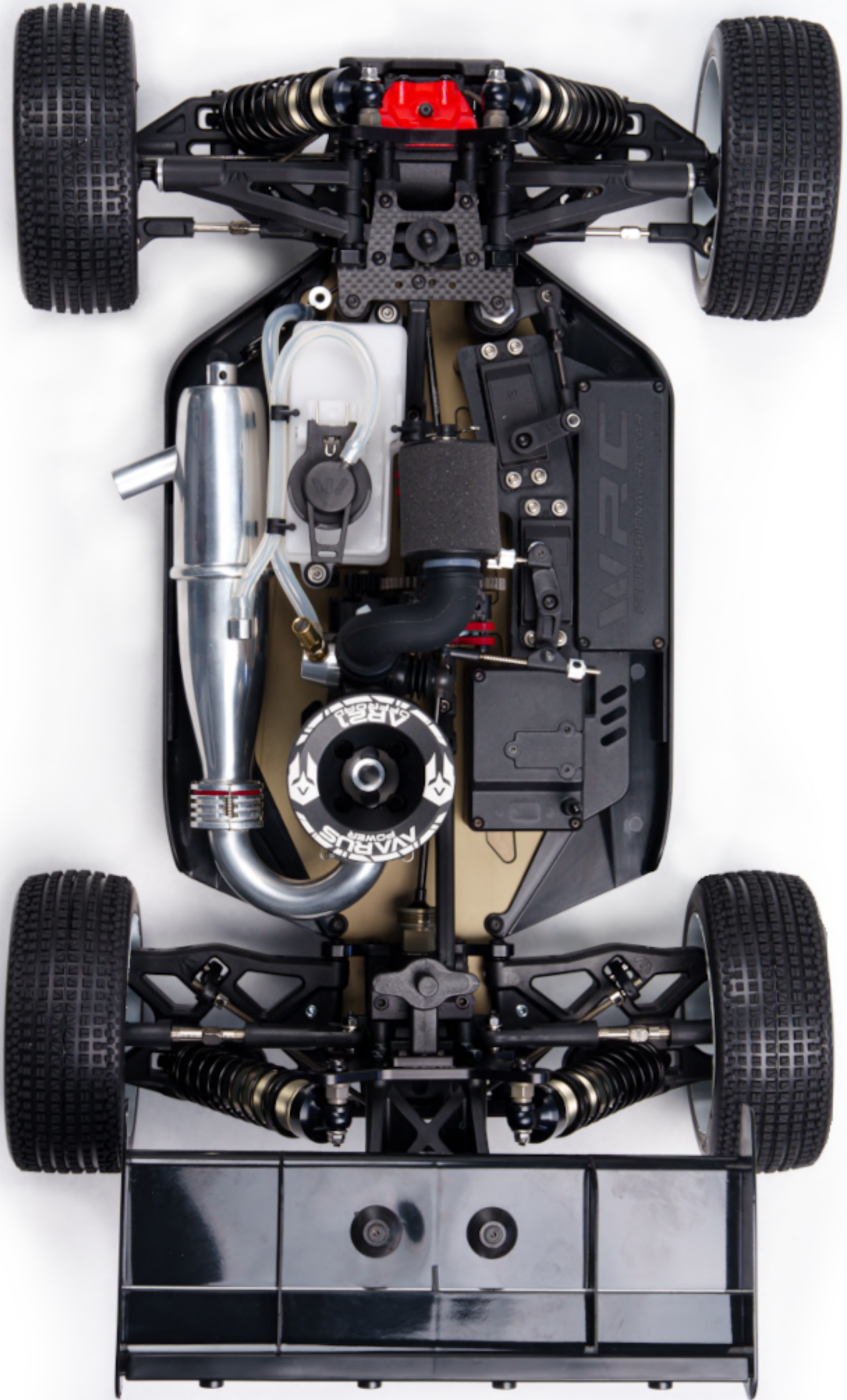
## TRACK

Size :
Traction:
Surface:

Total Vehicle Weight: \_\_\_\_\_



**SBX**





**WIRC**  
PROFESSIONAL RC CAR

[WWW.WIRC.RACING](http://WWW.WIRC.RACING)